

When printed  
at the correct  
size, this box  
will measure  
1in / 26mm  
square



# Templates

## Issue 129

PRINT AT 100% SIZE

When printed  
at the correct  
size, this box  
will measure  
1in / 26mm  
square

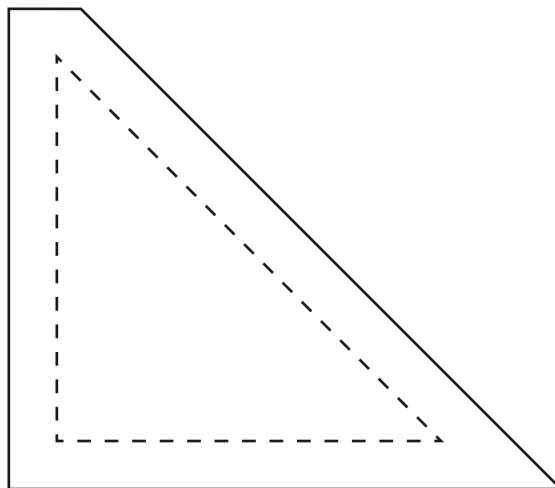
# BRILLIANT BASKETS

Carolyn Forster page 18

## PIECING TEMPLATES

ACTUAL SIZE

PLEASE NOTE: Templates include seam allowances.



**2IN FINISHED TRIANGLE TEMPLATE**

When printed at the correct size, this box will measure 1in / 26mm square

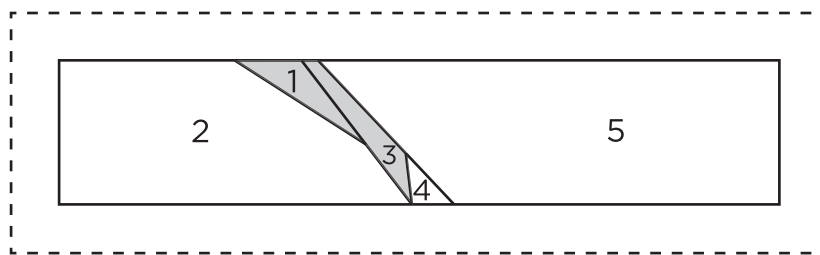
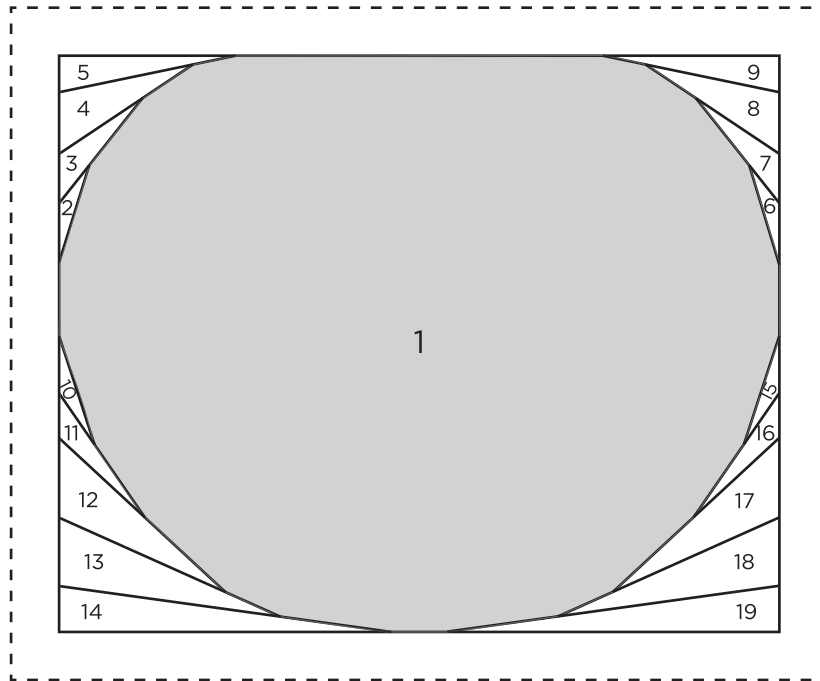
# GROW YOUR OWN

Paula Hope page 27

## FPP TEMPLATES

ACTUAL SIZE

PLEASE NOTE: Templates include seam allowances.



When printed at the correct size, this box will measure 1in / 26mm square

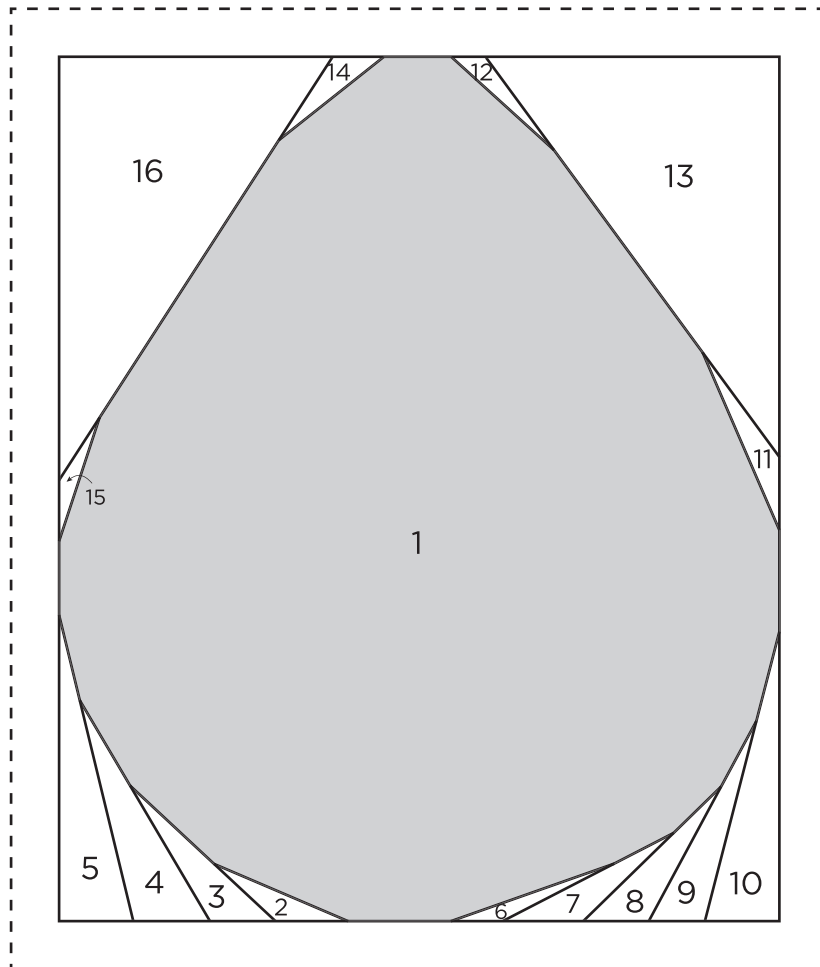
# GROW YOUR OWN

Paula Hope page 27

## FPP TEMPLATES

ACTUAL SIZE

PLEASE NOTE: Templates include seam allowances.



When printed at the correct size, this box will measure 1in / 26mm square

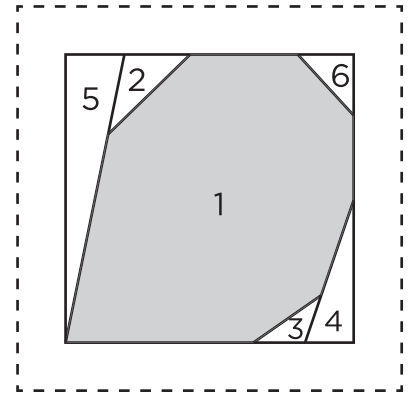
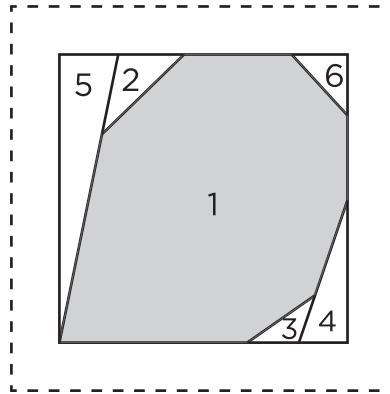
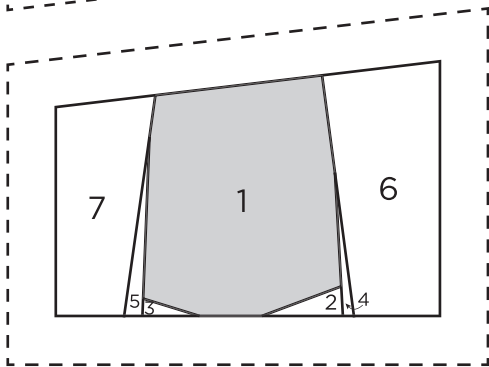
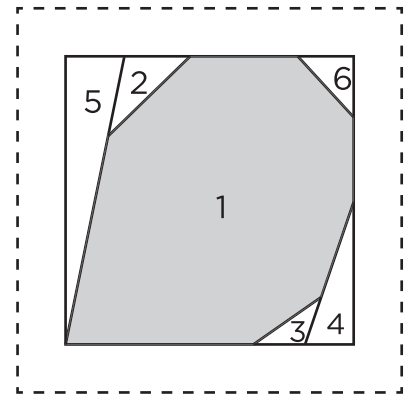
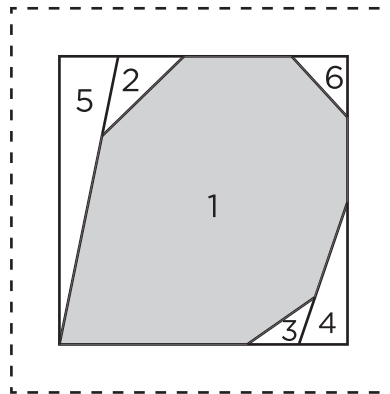
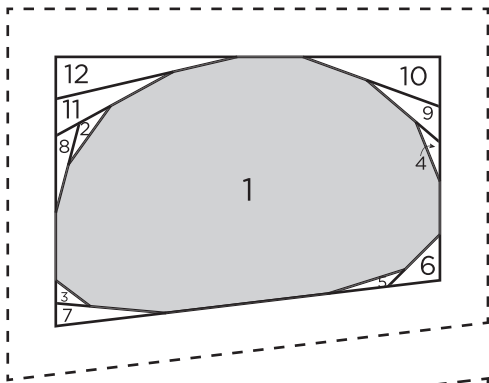
# GROW YOUR OWN

Paula Hope page 27

## FPP TEMPLATES

ACTUAL SIZE

PLEASE NOTE: Templates include seam allowances.



When printed at the correct size, this box will measure 1in / 26mm square

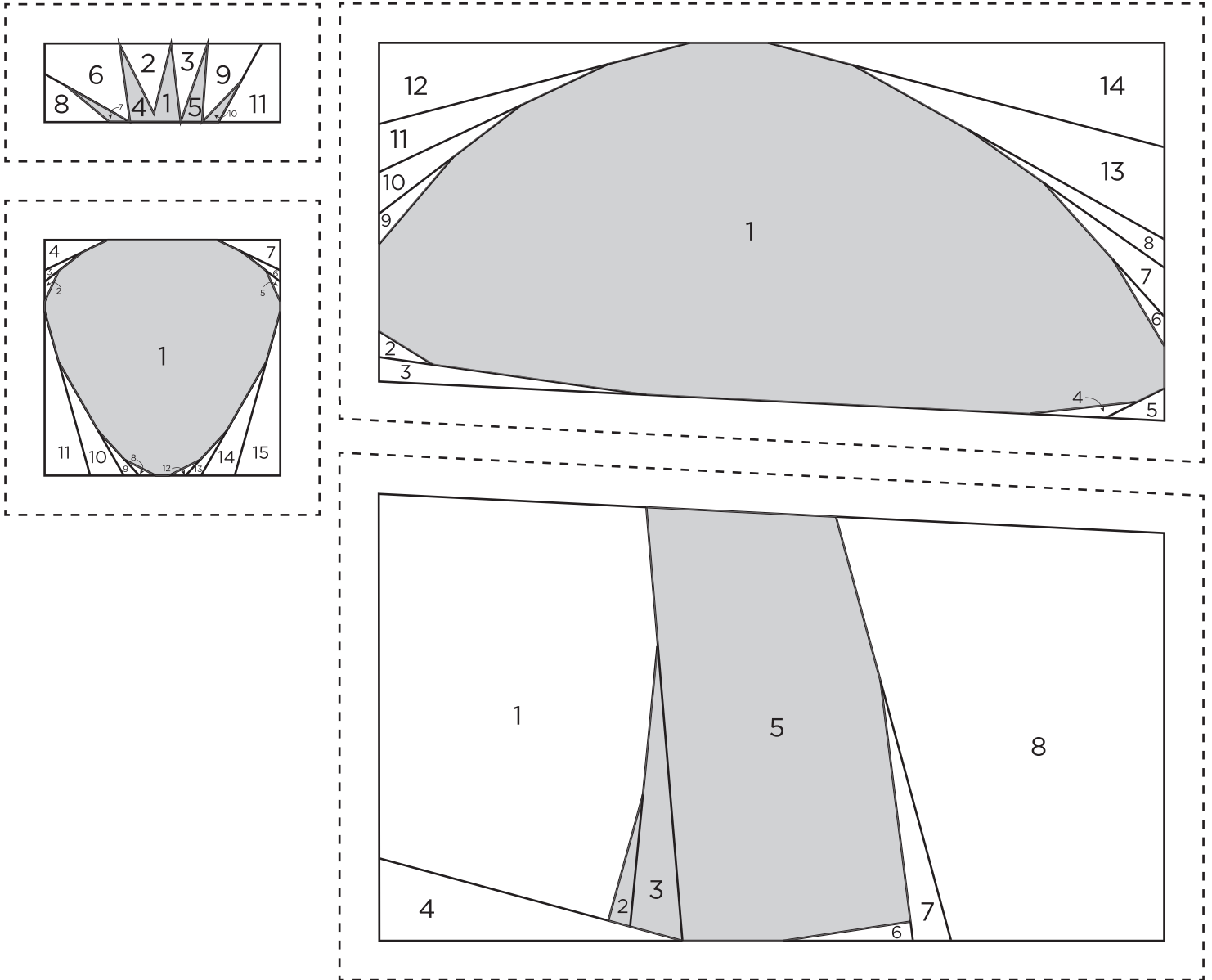
# GROW YOUR OWN

Paula Hope page 27

## FPP TEMPLATES

ACTUAL SIZE

PLEASE NOTE: Templates include seam allowances.



When printed at the correct size, this box will measure 1in / 26mm square

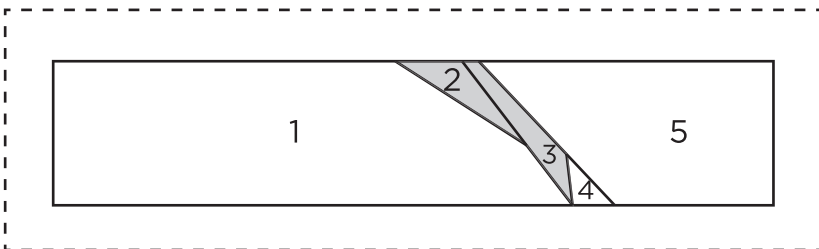
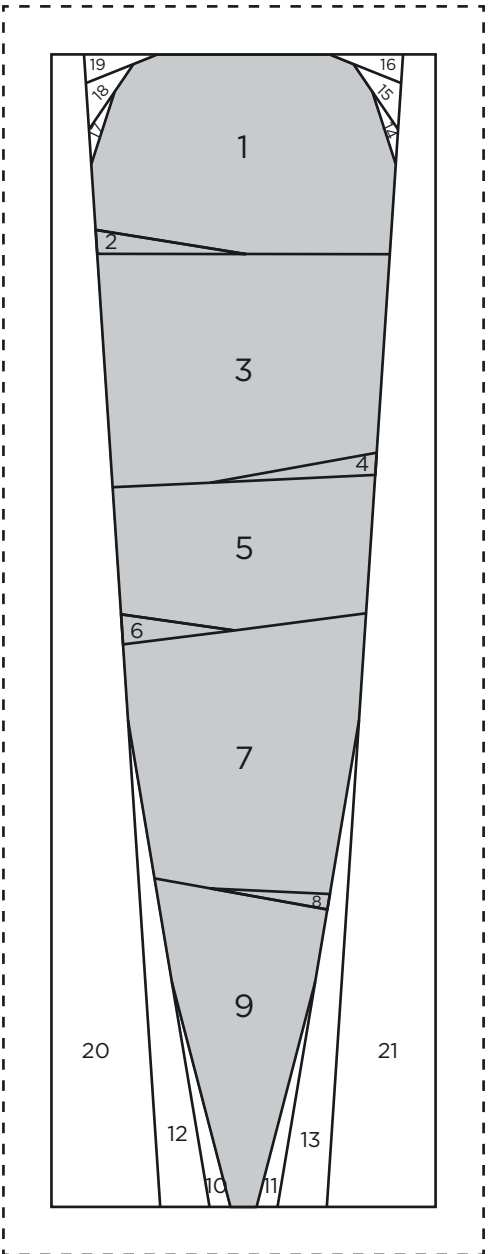
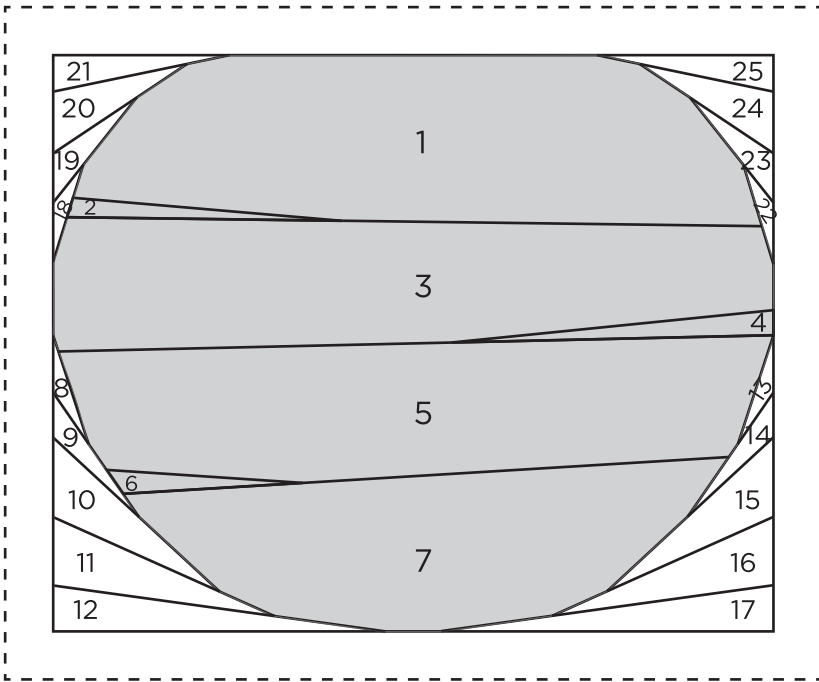
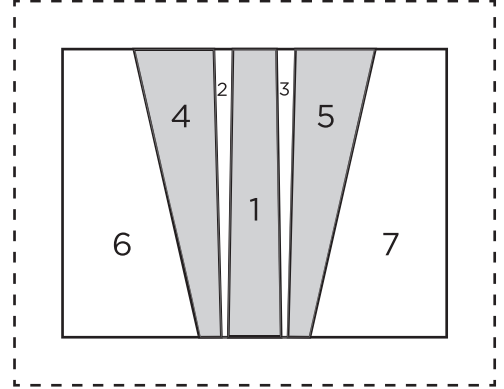
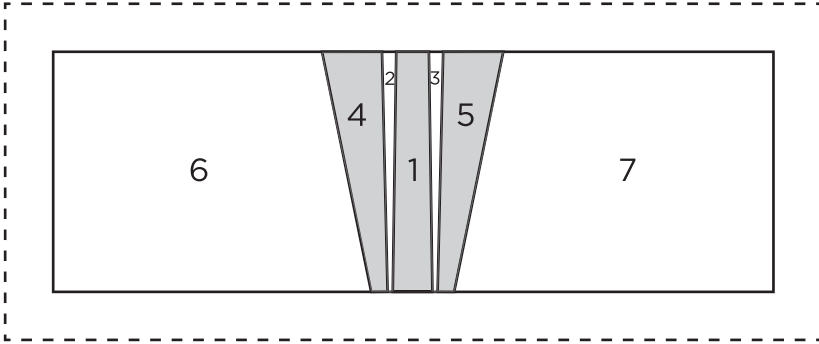
# GROW YOUR OWN

Paula Hope page 27

## FPP TEMPLATES

ACTUAL SIZE

PLEASE NOTE: Templates include seam allowances.



TODAY'S  
**QUILTER**  
*Create beautiful quilts for your home*

Thank you for making this project from Today's Quilter. The copyright for these templates belongs to the designer of the project. Please don't re-sell or distribute their work without permission. Please do not make any part of the templates or instructions available to others through your website or a third party website, or copy it multiple times without our permission. Copyright law protects creative work and unauthorised copying is illegal. We appreciate your help.

# GROW YOUR OWN

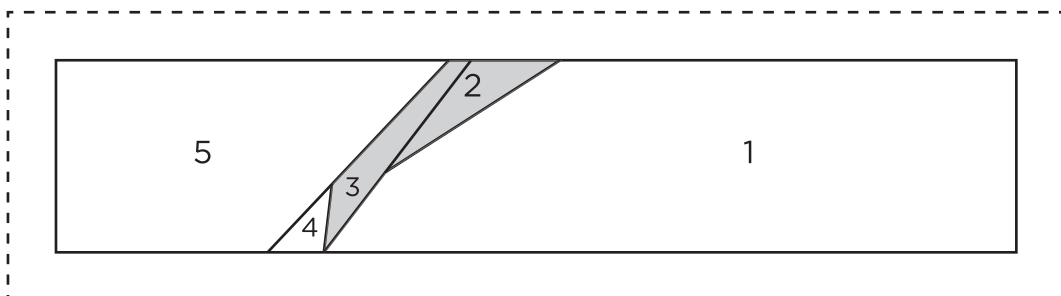
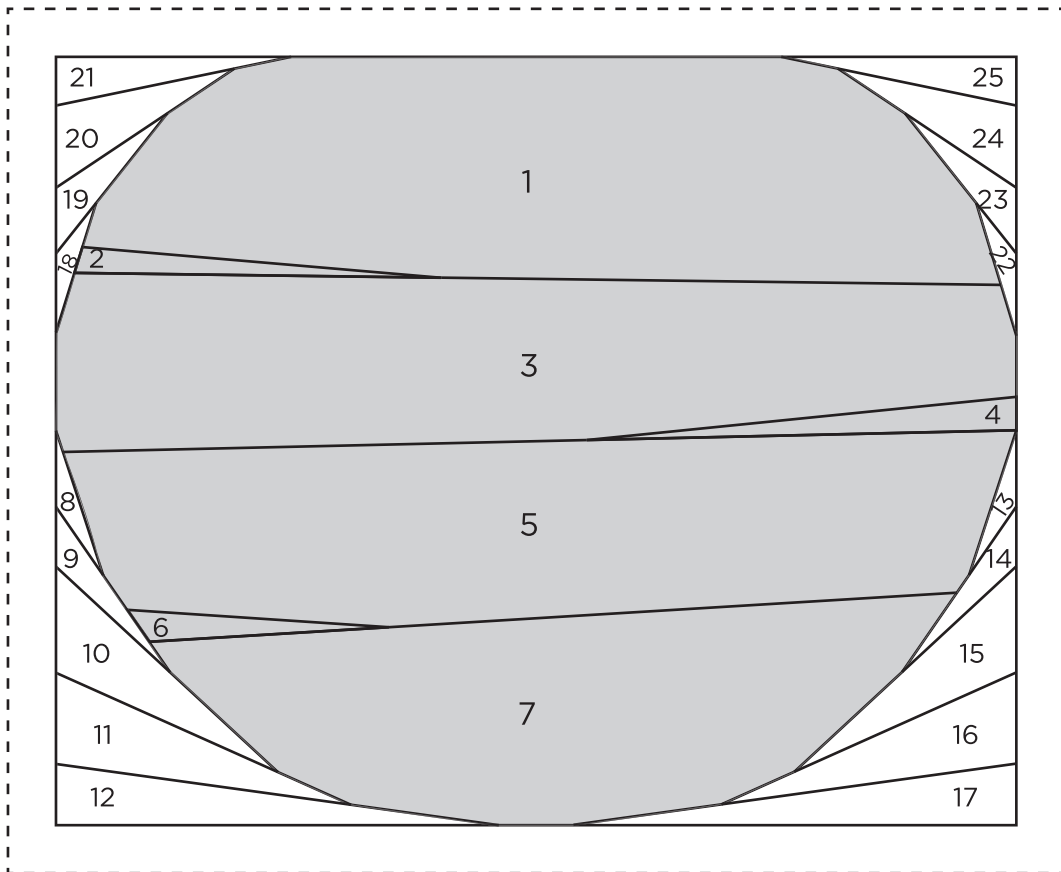
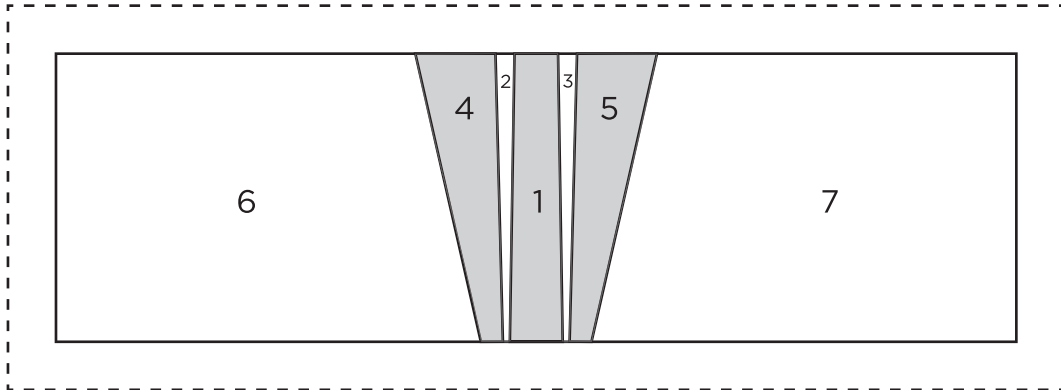
When printed at the correct size, this box will measure 1in / 26mm square

Paula Hope page 27

## FPP TEMPLATES

ACTUAL SIZE

PLEASE NOTE: Templates include seam allowances.



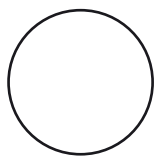
# GROW YOUR OWN

Paula Hope page 27

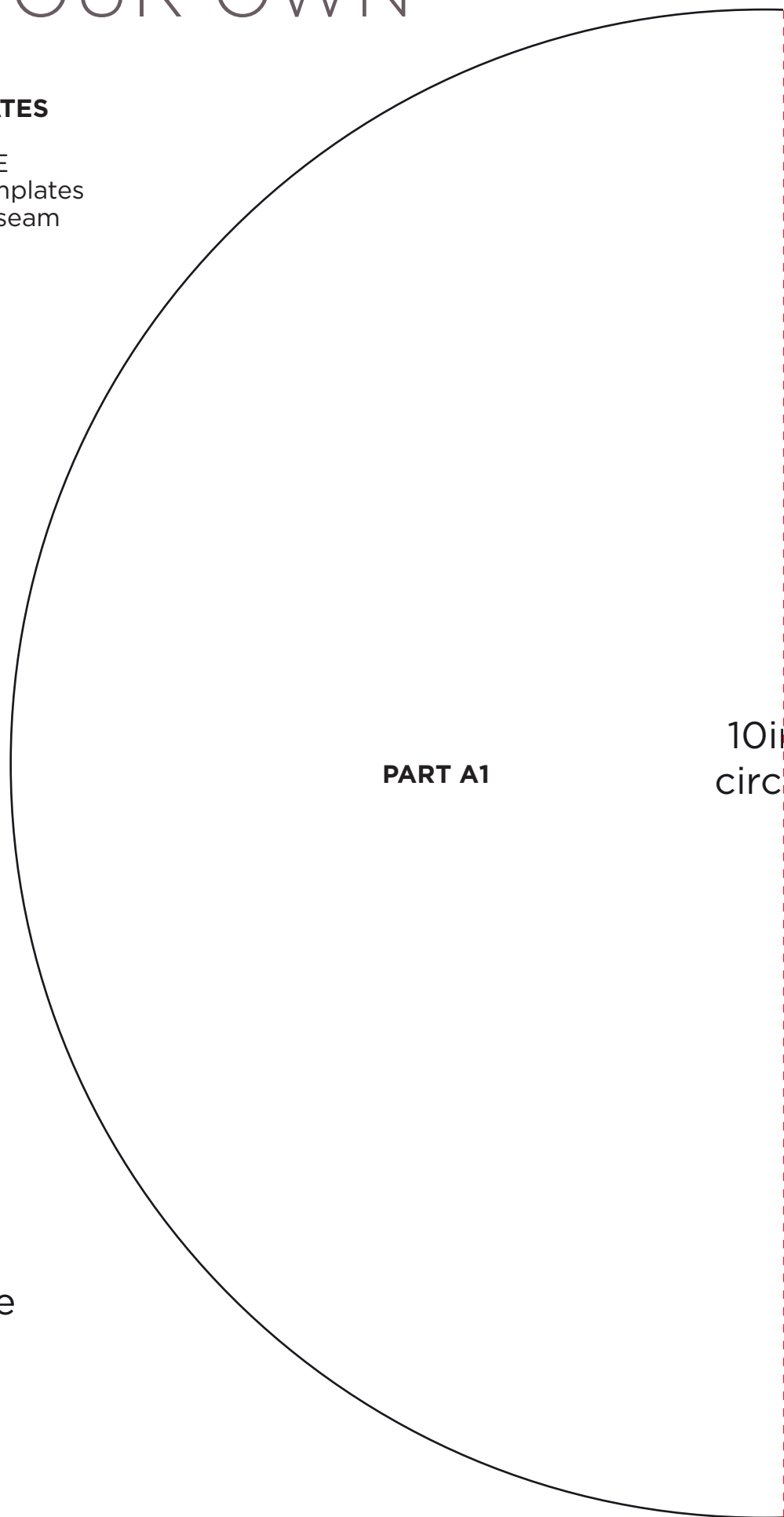
## PIECING TEMPLATES

ACTUAL SIZE  
PLEASE NOTE: Templates  
DO NOT include seam  
allowances.

When printed  
at the correct  
size, this box  
will measure  
1in / 26mm  
square



Flower Centre  
circle



JOIN PART A1 TO PART A2

10in  
circ

PART A1

# GROW YOUR OWN

Paula Hope page 27

## PIECING TEMPLATES

ACTUAL SIZE  
PLEASE NOTE: Templates DO NOT  
include seam allowances.

When printed  
at the correct  
size, this box  
will measure  
1in / 26mm  
square

JOIN PART A2 TO PART A1



PART A2

When printed  
at the correct  
size, this box  
will measure  
1in / 26mm  
square

# SUMMER IN BLOOM

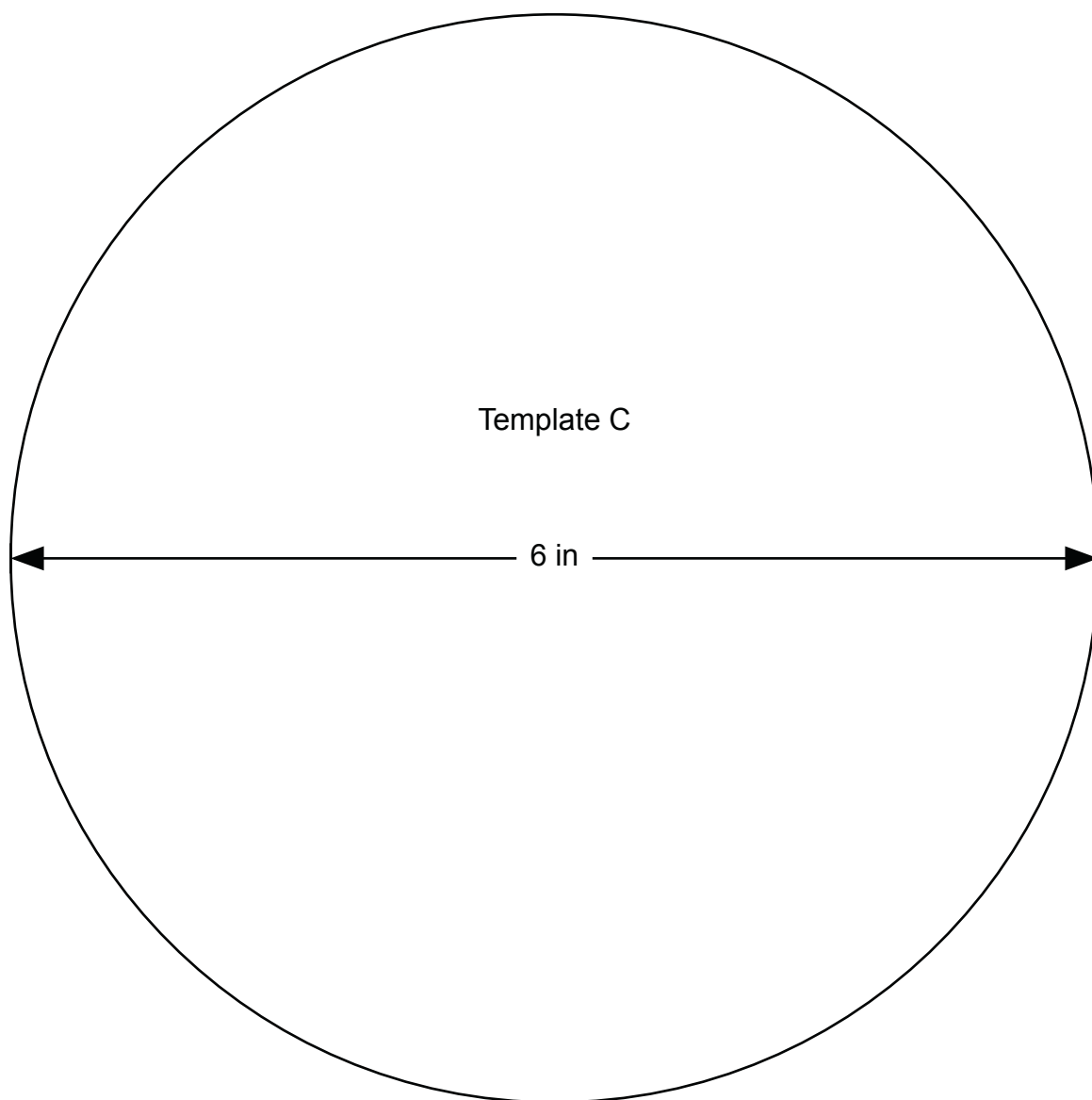
Lynne Goldsworthy page 40

## HST AND PIECING TEMPLATES

ACTUAL SIZE

PLEASE NOTE: Templates A, B and HSTs include seam allowances. Template C DOES NOT include a seam allowance.

### FLOWER CENTRE



When printed  
at the correct  
size, this box  
will measure  
1in / 26mm  
square

# SUMMER IN BLOOM

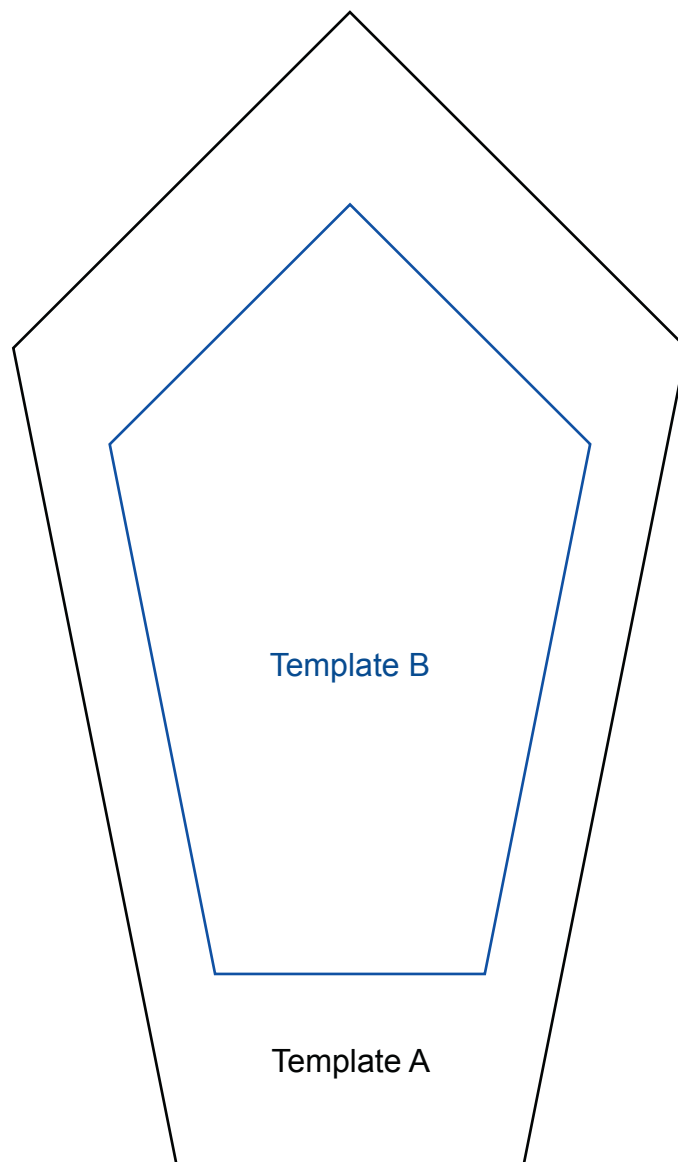
Lynne Goldsworthy page 40

## HST AND PIECING TEMPLATES

← —  
ACTUAL SIZE

PLEASE NOTE: Templates A, B and HSTs include seam allowances. Template C DOES NOT include a seam allowance.

### FLOWER CENTRE



When printed at the correct size, this box will measure 1in / 26mm square

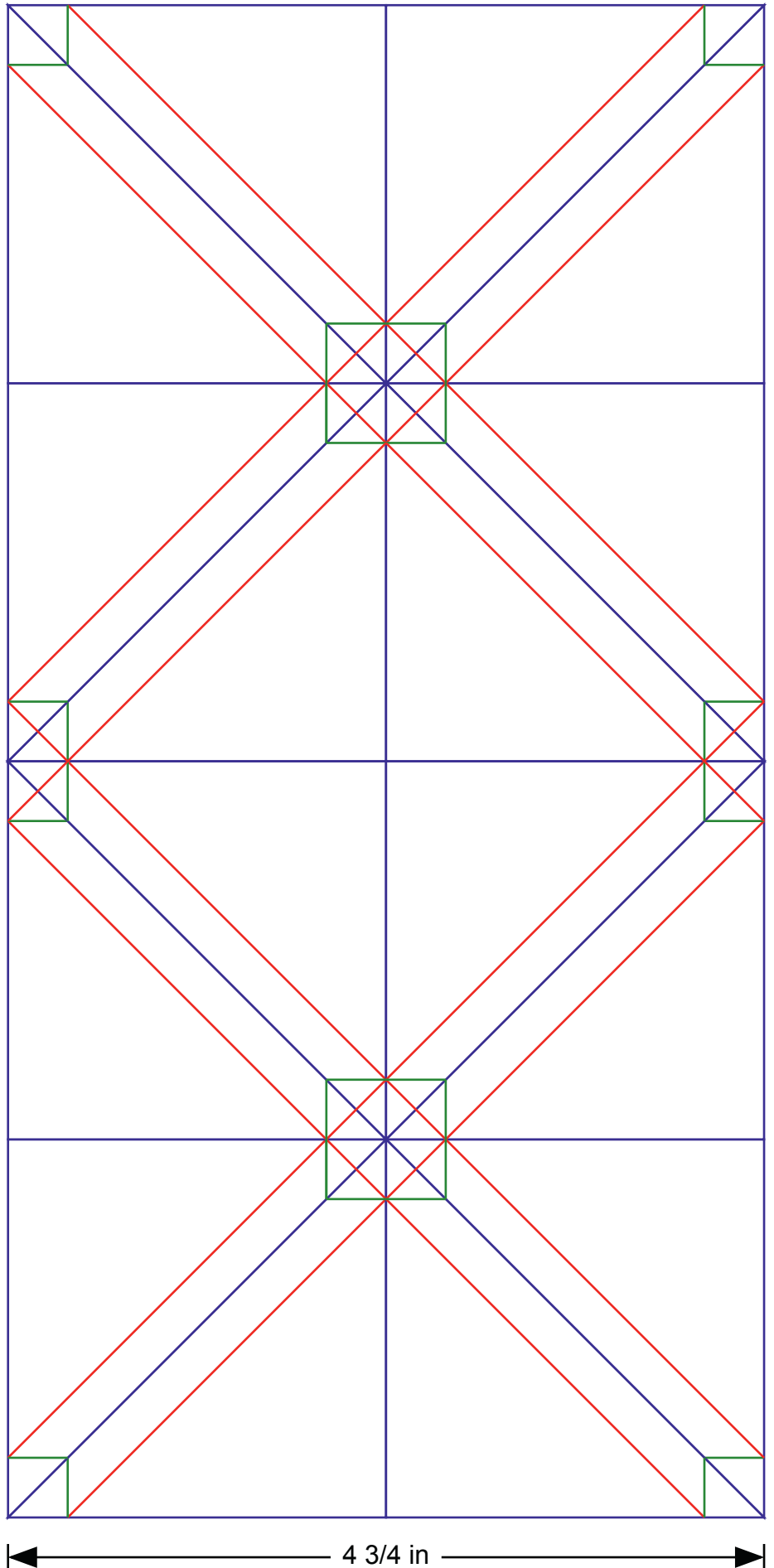
# SUMMER IN BLOOM

Lynne Goldsworthy  
page 40

## HST AND PIECING TEMPLATES

ACTUAL SIZE  
PLEASE NOTE: Templates A, B and HSTs include seam allowances. Template C DOES NOT include a seam allowance.

**1½ IN FINISHED  
HST TEMPLATE**



When printed  
at the correct  
size, this box  
will measure  
1in / 26mm  
square

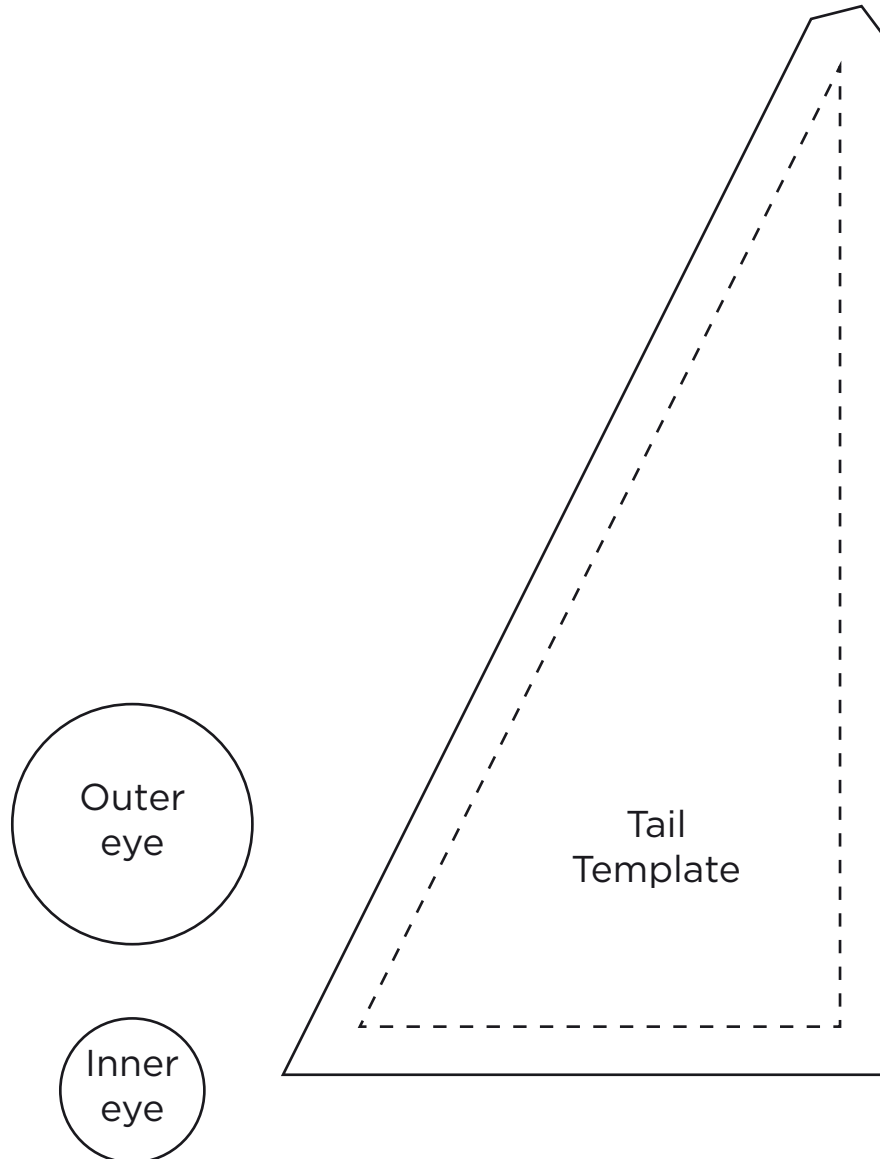
# FLIGHT OF FANCY

Lynne Edwards MBE page 57

## PIECING AND APPLIQUÉ TEMPLATES

ACTUAL SIZE

PLEASE NOTE: The Tail template includes seam allowances. Seam allowance is NOT required for Eye templates.



When printed at the correct size, this box will measure 1in / 26mm square

# BOM TEN LORDS A-LEAPING

Anne Varley page 67

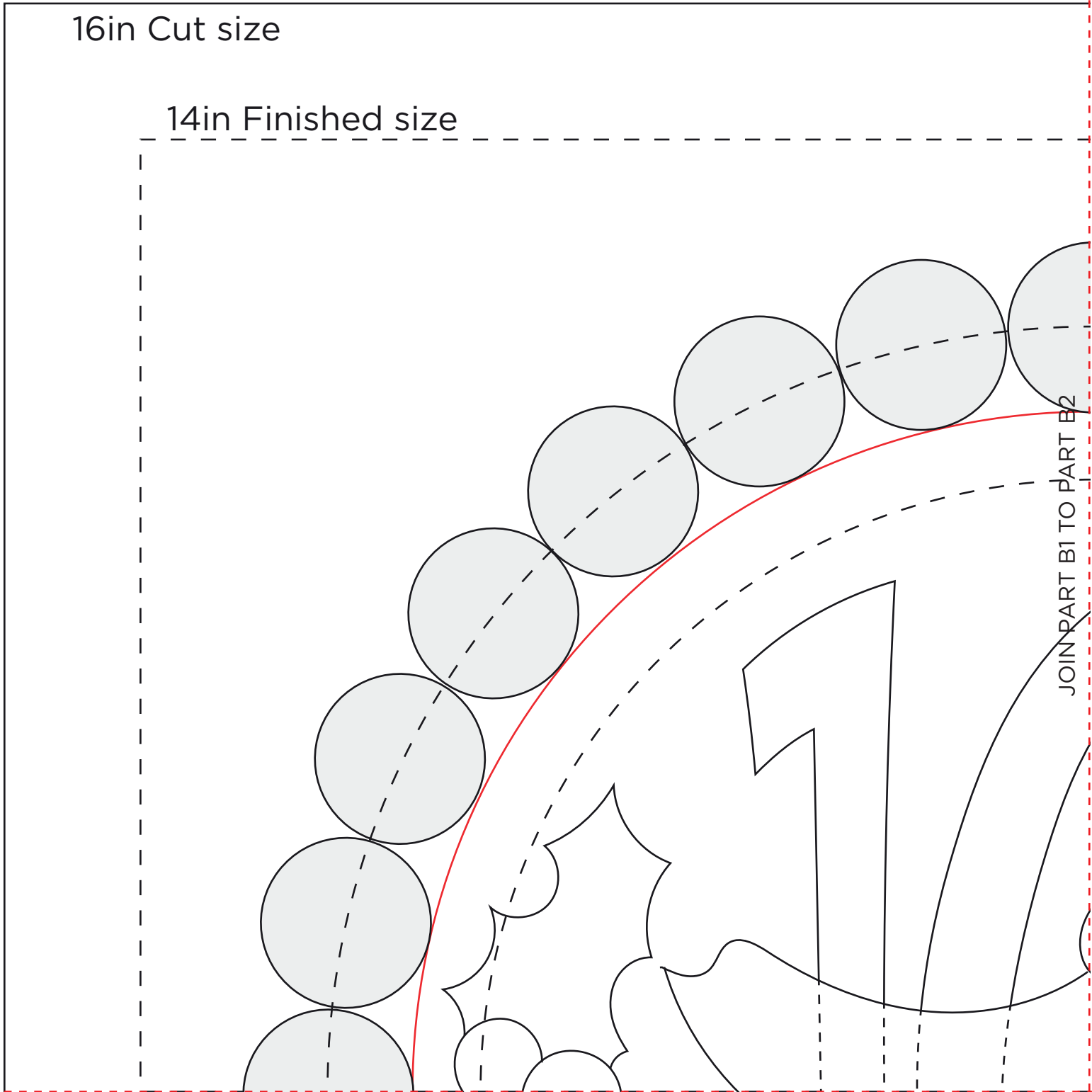
## APPLIQUÉ TEMPLATES AND LAYOUT FOR BLOCK AND CORNER BLOCK

### BLOCK 10 TEMPLATES AND LAYOUT PART B1

ACTUAL SIZE  
PLEASE NOTE: Templates DO NOT include seam allowances.

16in Cut size

14in Finished size



JOIN PART B1 TO PART B3

When printed at the correct size, this box will measure 1in / 26mm square

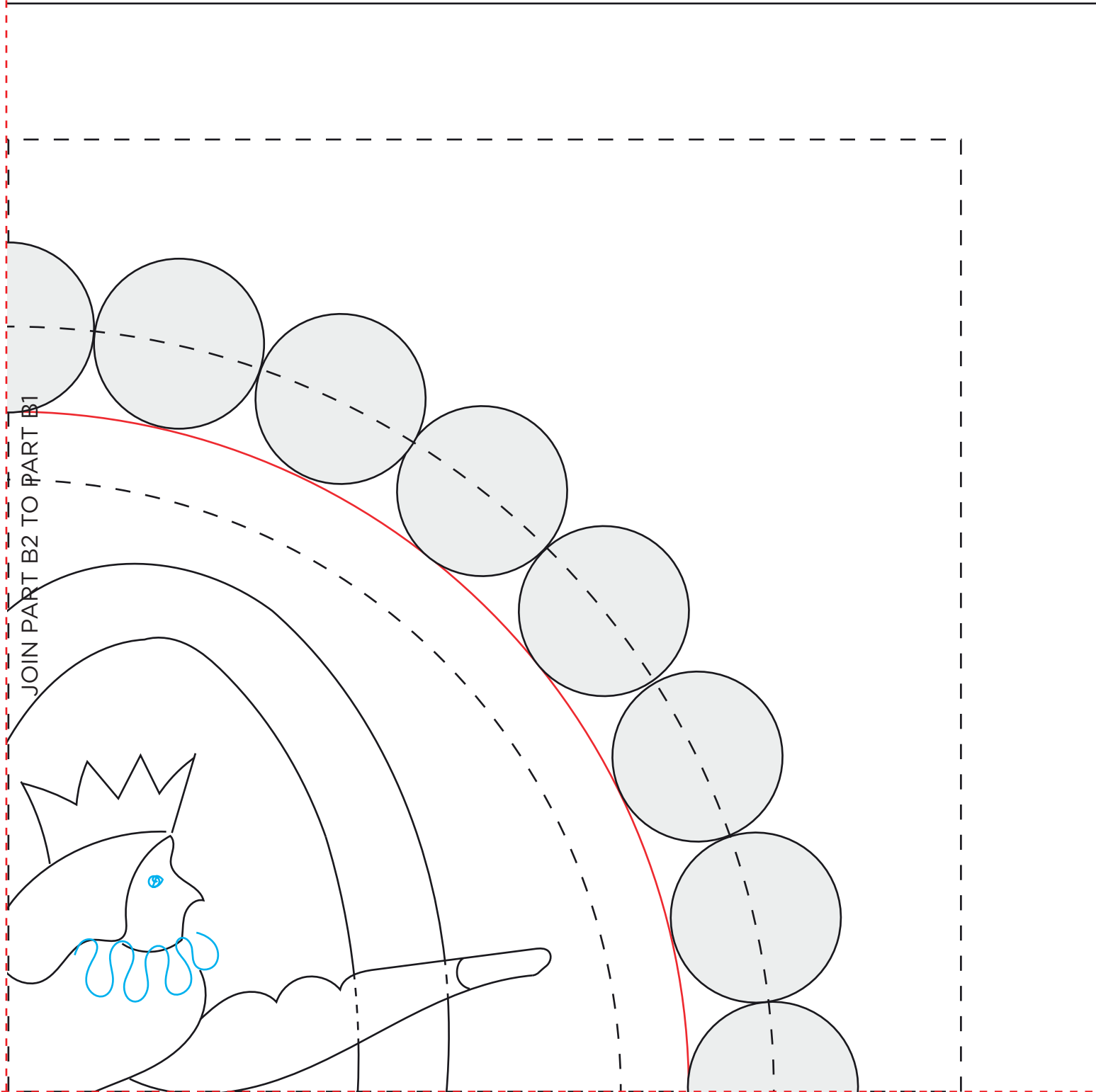
# BOM TEN LORDS A-LEAPING

Anne Varley page 67

**APPLIQUÉ TEMPLATES AND LAYOUT FOR BLOCK AND CORNER BLOCK**

## **BLOCK 10 TEMPLATES AND LAYOUT PART B2**

ACTUAL SIZE  
PLEASE NOTE: Templates DO NOT include seam allowances.



JOIN PART B2 TO PART B4

Thank you for making this project from Today's Quilter. The copyright for these templates belongs to the designer of the project. Please don't re-sell or distribute their work without permission. Please do not make any part of the templates or instructions available to others through your website or a third party website, or copy it multiple times without our permission. Copyright law protects creative work and unauthorised copying is illegal. We appreciate your help.

When printed at the correct size, this box will measure 1in / 26mm square

# BOM TEN LORDS A-LEAPING

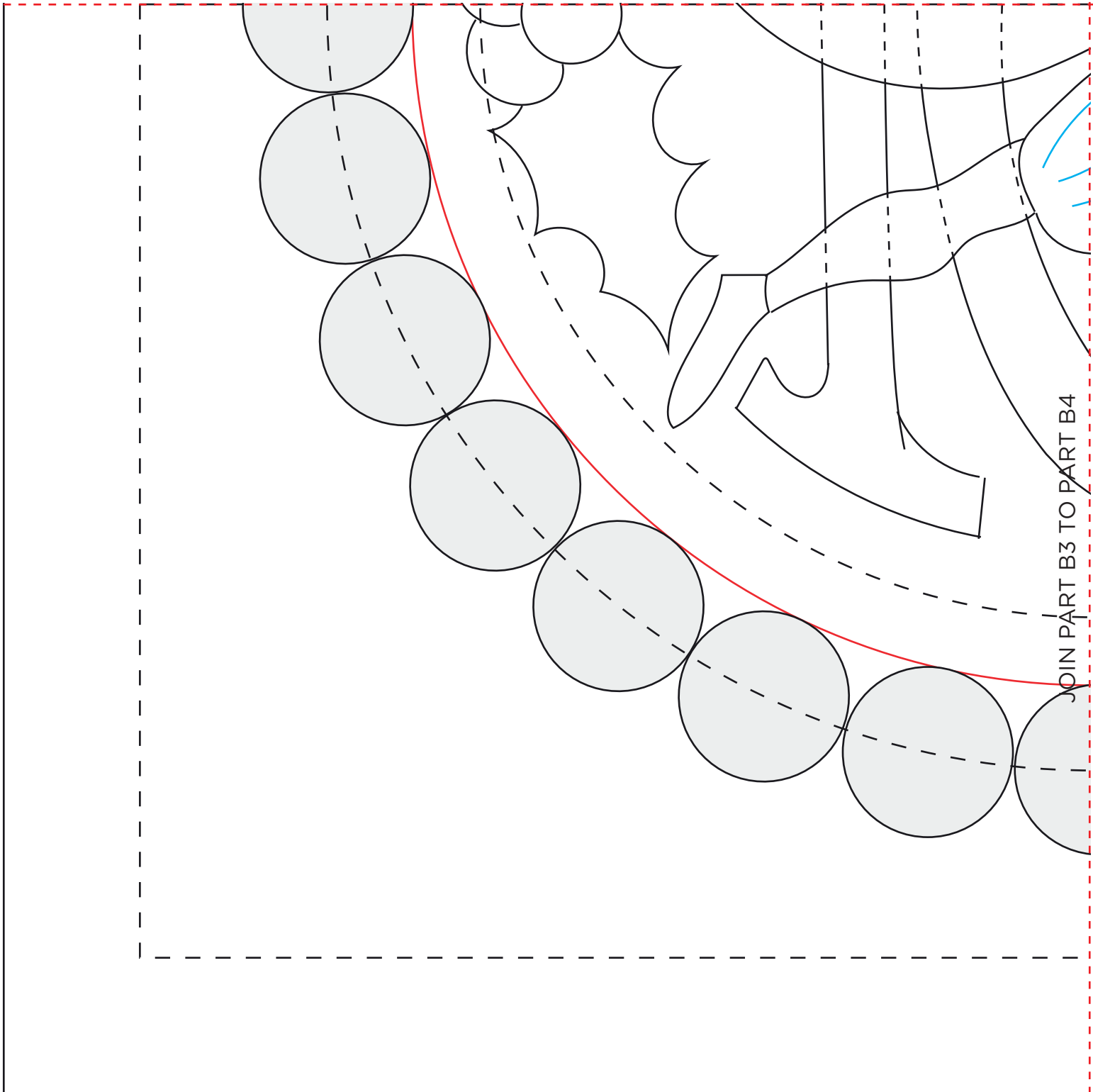
Anne Varley page 67

## APPLIQUÉ TEMPLATES AND LAYOUT FOR BLOCK AND CORNER BLOCK

### BLOCK 10 TEMPLATES AND LAYOUT PART B3

ACTUAL SIZE  
PLEASE NOTE: Templates DO NOT include seam allowances.

JOIN PART B3 TO PART B1



When printed at the correct size, this box will measure 1in / 26mm square

# BOM TEN LORDS A-LEAPING

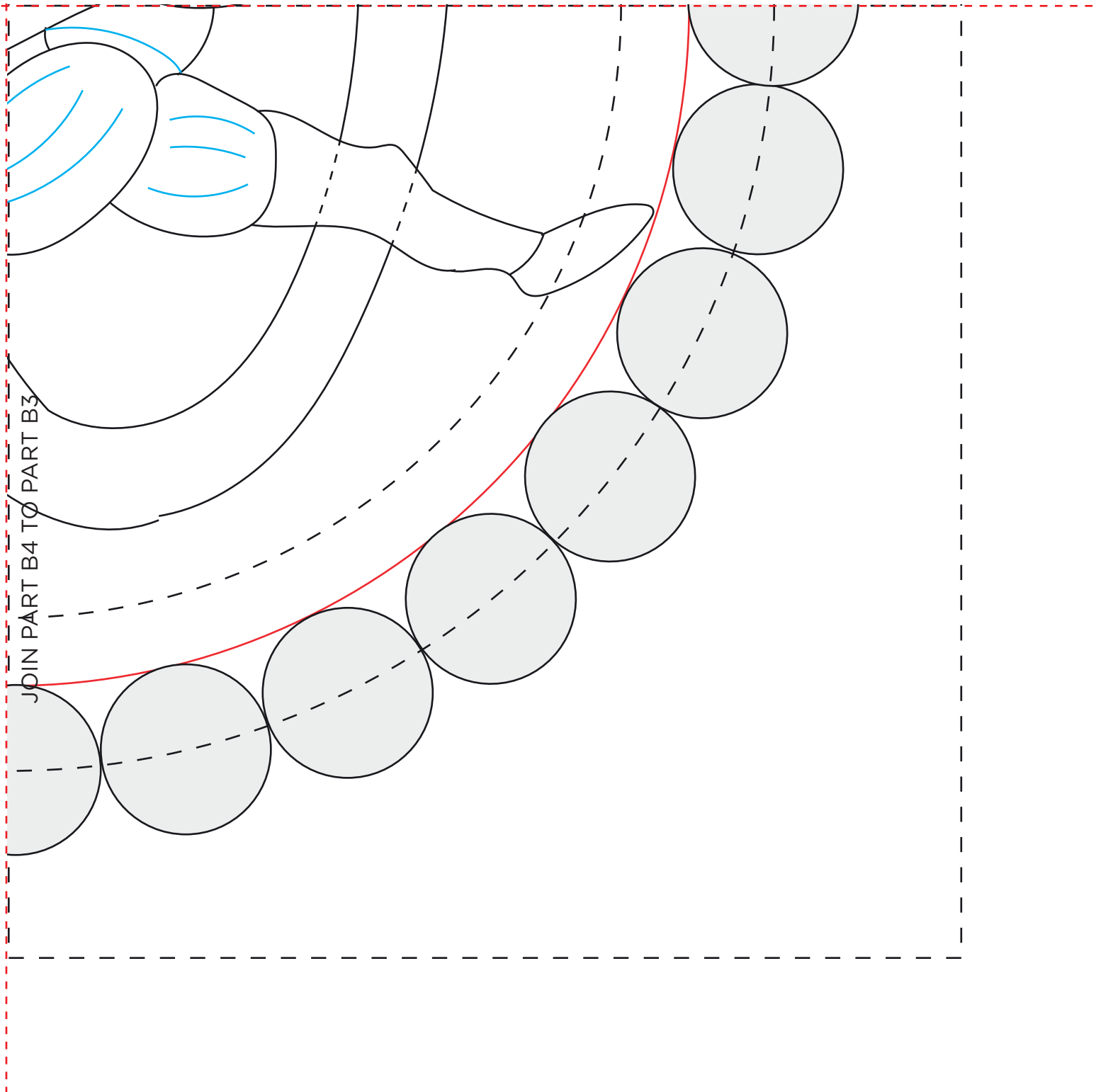
Anne Varley page 67

## APPLIQUÉ TEMPLATES AND LAYOUT FOR BLOCK AND CORNER BLOCK

### BLOCK 10 TEMPLATES AND LAYOUT PART B4

ACTUAL SIZE  
PLEASE NOTE: Templates DO NOT include seam allowances.

JOIN PART B4 TO PART B2



When printed  
at the correct  
size, this box  
will measure  
1in / 26mm  
square

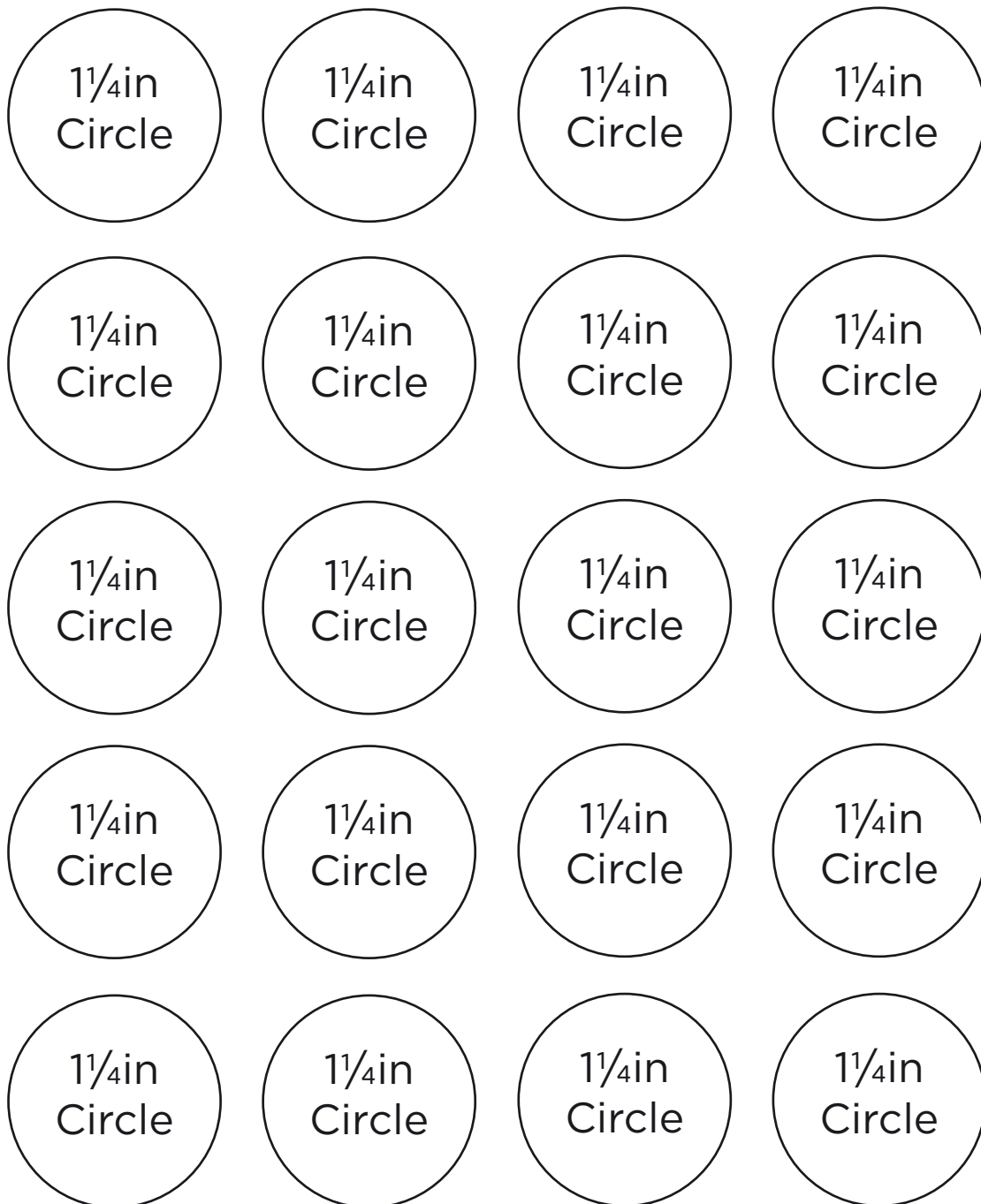
# BOM TEN LORDS A-LEAPING

Anne Varley page 67

## APPLIQUÉ TEMPLATES AND LAYOUT FOR BLOCK AND CORNER BLOCK

— —  
ACTUAL SIZE

PLEASE NOTE: Templates DO NOT include seam  
allowances.



### BLOCK CIRCLES

When printed  
at the correct  
size, this box  
will measure  
1in / 26mm  
square

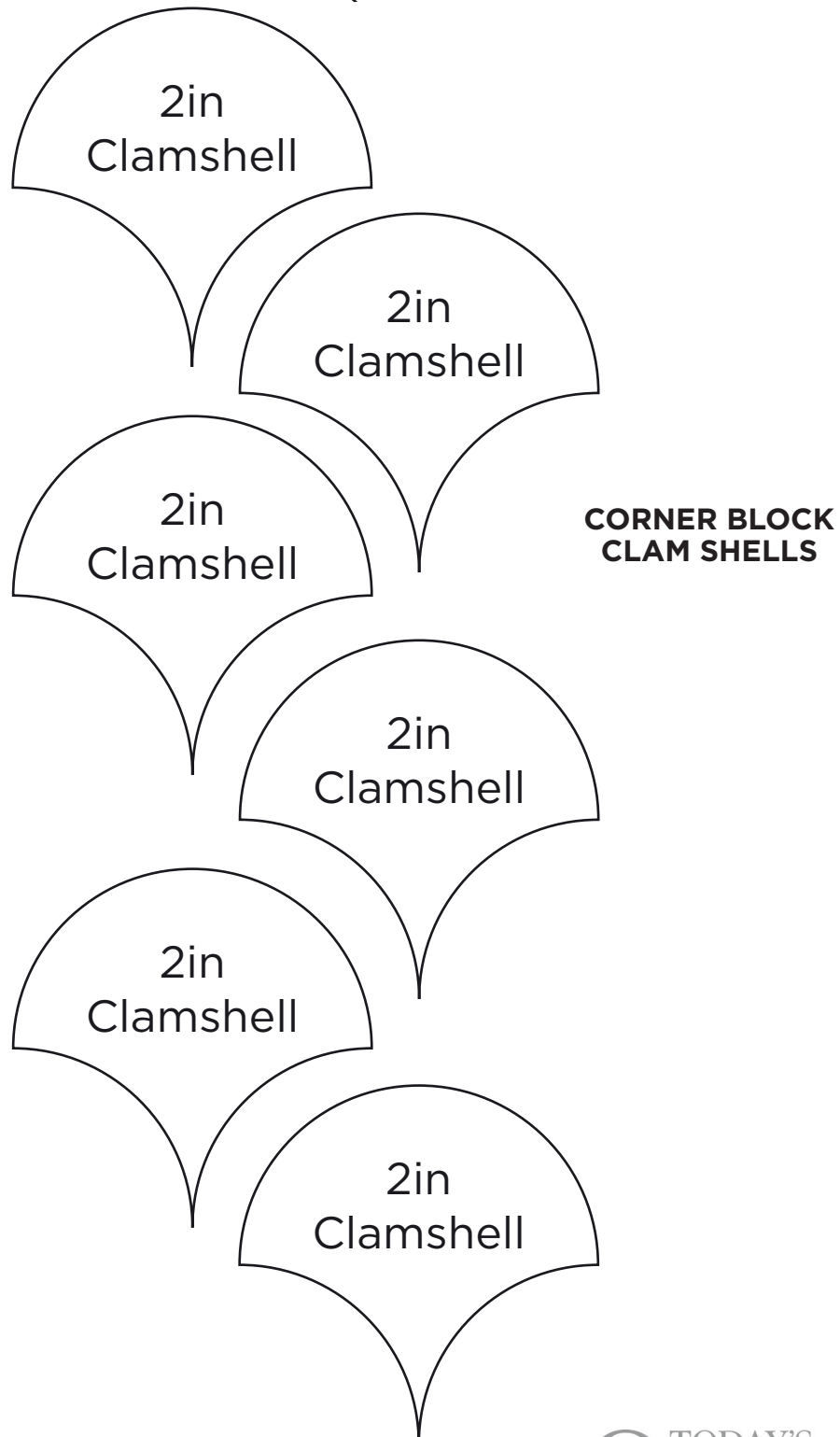
# BOM TEN LORDS A-LEAPING

Anne Varley page 67

## APPLIQUÉ TEMPLATES AND LAYOUT FOR BLOCK AND CORNER BLOCK

ACTUAL SIZE

PLEASE NOTE: Templates DO NOT include seam  
allowances.



When printed  
at the correct  
size, this box  
will measure  
1in / 26mm  
square

# BOM TEN LORDS A-LEAPING

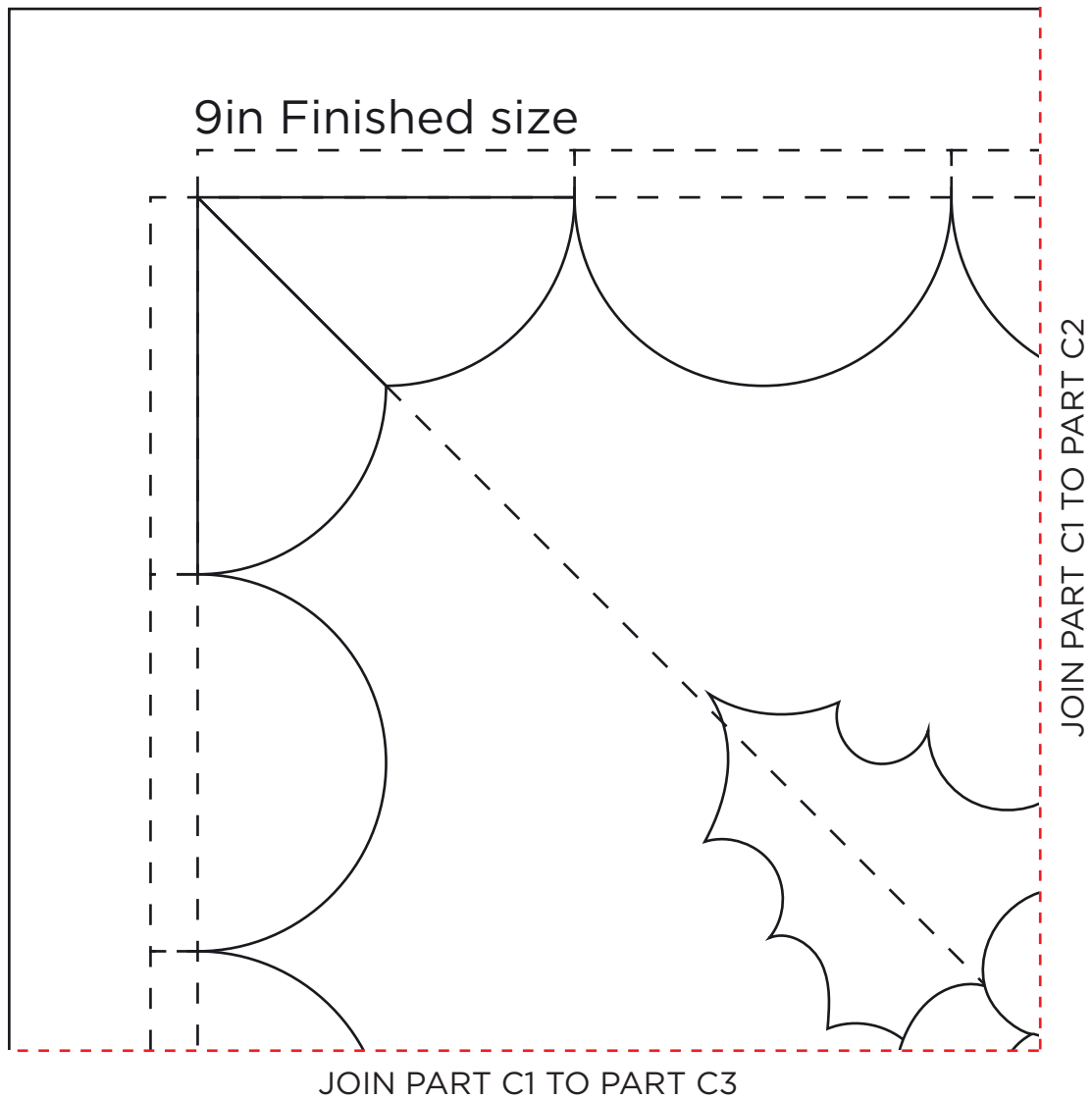
Anne Varley page 67

## APPLIQUÉ TEMPLATES AND LAYOUT FOR BLOCK AND CORNER BLOCK

ACTUAL SIZE

PLEASE NOTE: Templates DO NOT include seam allowances.

### CORNER BLOCK PART C1



When printed at the correct size, this box will measure 1in / 26mm square

# BOM TEN LORDS A-LEAPING

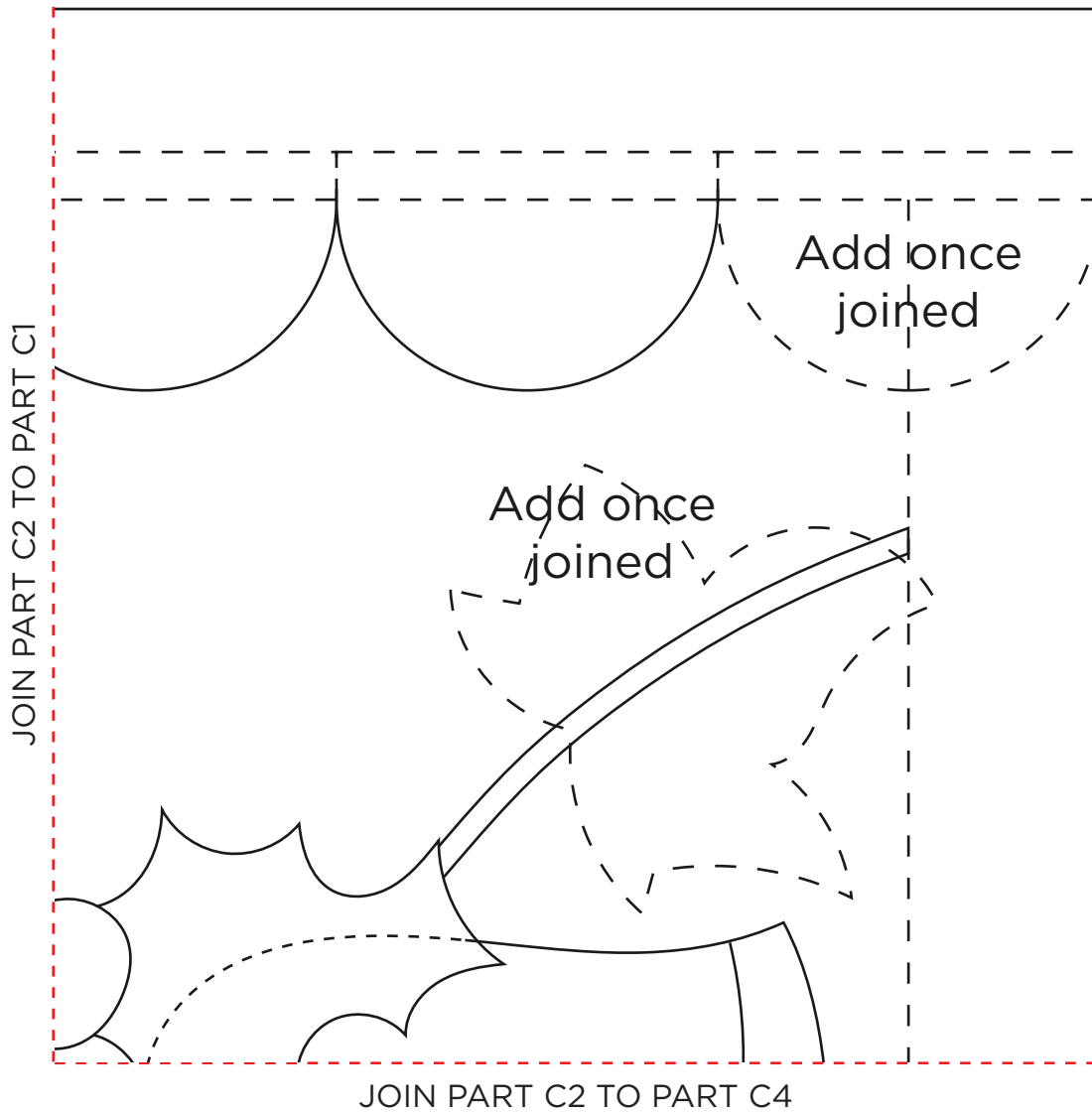
Anne Varley page 67

## APPLIQUÉ TEMPLATES AND LAYOUT FOR BLOCK AND CORNER BLOCK

ACTUAL SIZE

PLEASE NOTE: Templates DO NOT include seam allowances.

### CORNER BLOCK PART C2



When printed at the correct size, this box will measure 1in / 26mm square

# BOM TEN LORDS A-LEAPING

Anne Varley page 67

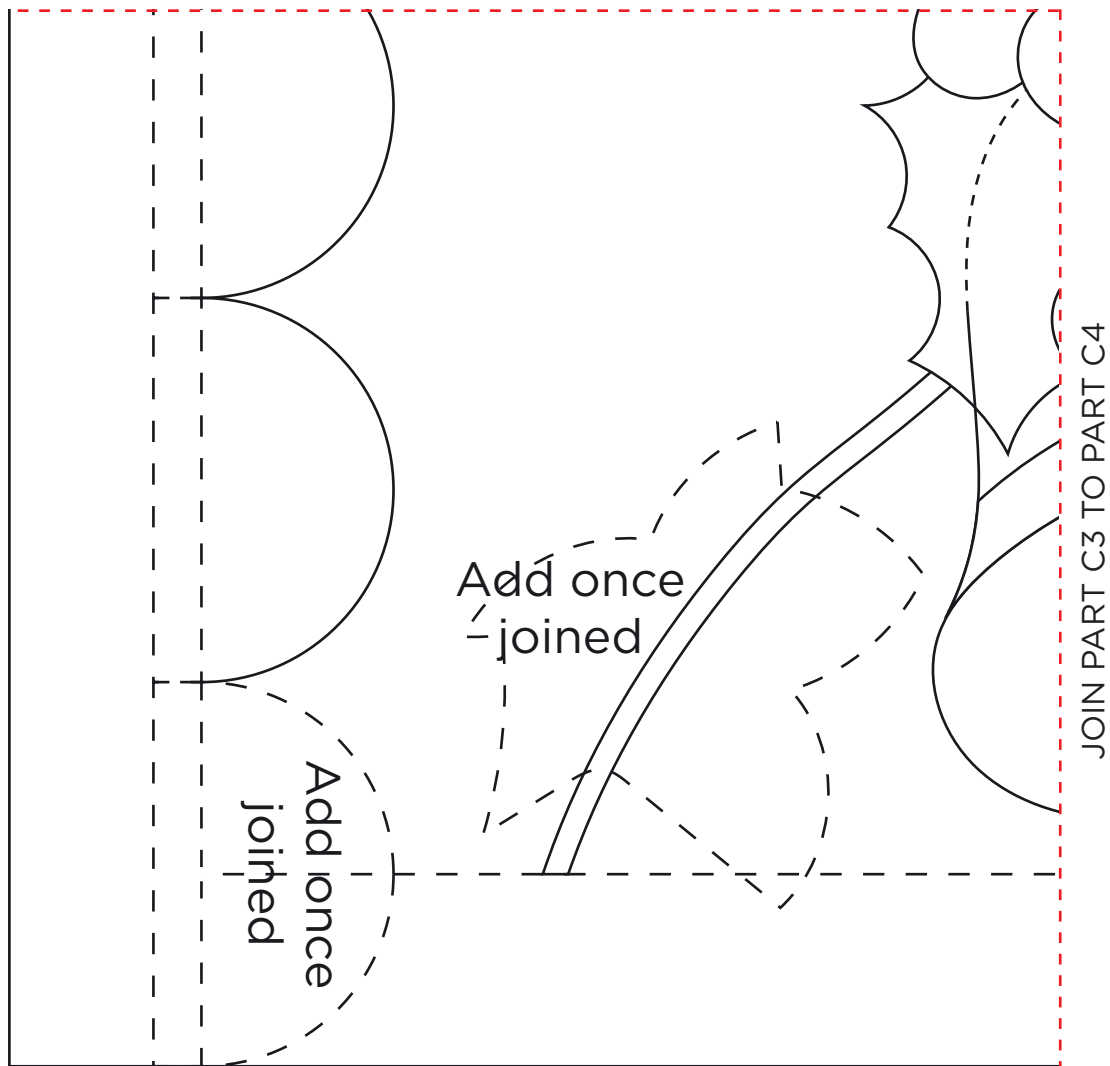
## APPLIQUÉ TEMPLATES AND LAYOUT FOR BLOCK AND CORNER BLOCK

ACTUAL SIZE

PLEASE NOTE: Templates DO NOT include seam allowances.

### CORNER BLOCK PART C3

JOIN PART C3 TO PART C1



When printed at the correct size, this box will measure 1in / 26mm square

# BOM TEN LORDS A-LEAPING

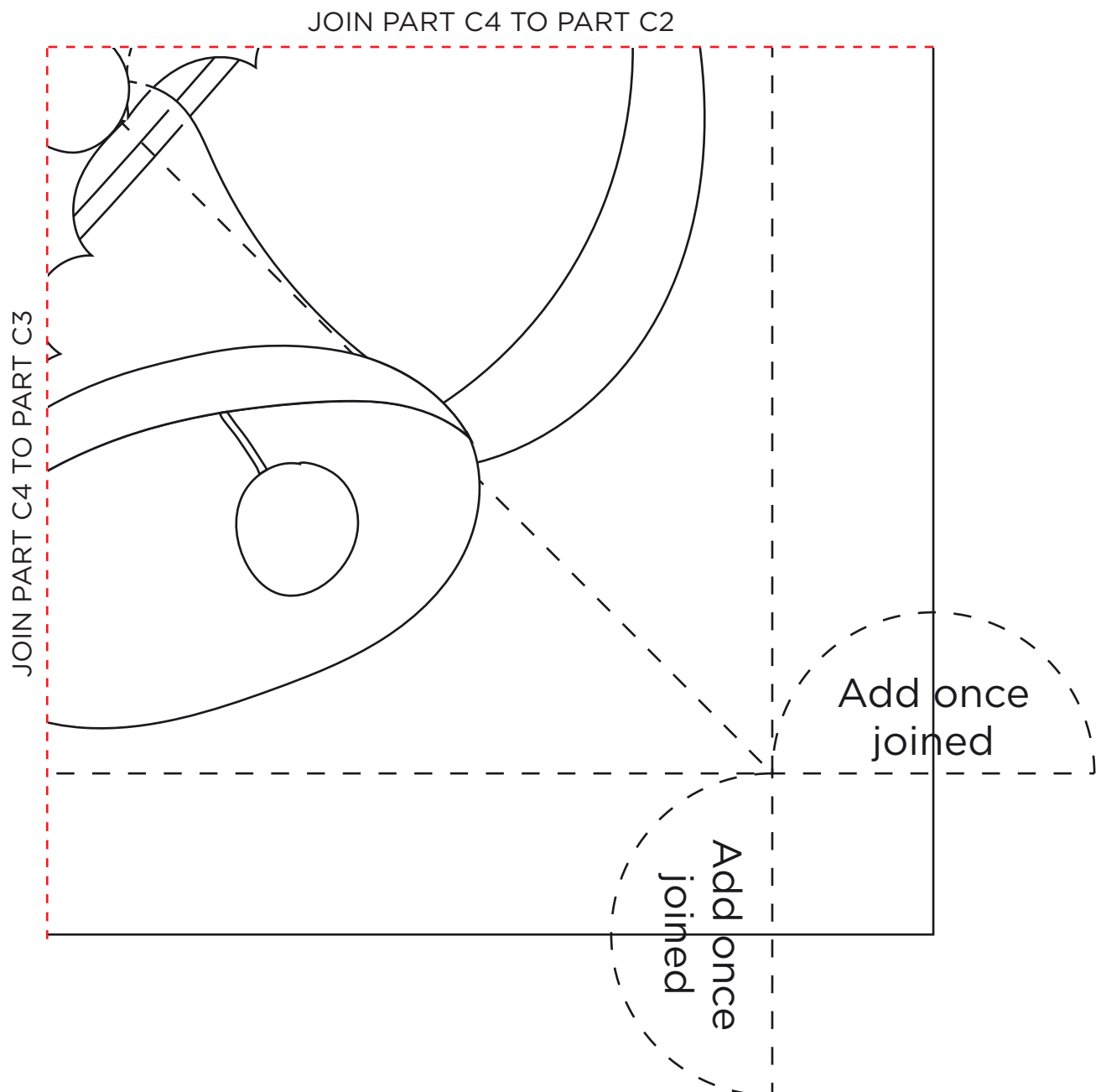
Anne Varley page 67

## APPLIQUÉ TEMPLATES AND LAYOUT FOR BLOCK AND CORNER BLOCK

ACTUAL SIZE

PLEASE NOTE: Templates DO NOT include seam allowances.

### CORNER BLOCK PART C4



# TRY 6 ISSUES FOR £12.99\*

## WHEN YOU SUBSCRIBE TODAY!



**TODAY'S QUILTER** – your favourite magazine with  
a fresh take on traditional quilting

★  
**PROJECTS** by stars of the quilt world

★  
**BEAUTIFUL PHOTOGRAPHY** that showcases stunning quilt creations

*Subscribe online, it's quick and easy!*

Visit [Ourmediashop.com/TQHA25](http://Ourmediashop.com/TQHA25)

or call **03330 162 154<sup>†</sup>** QUOTE CODE **TQHA25**

Lines are open 8am-6pm weekdays and 9am-1pm Saturday (orders only on Saturday)



SCAN ME

†UK calls will cost the same as other standard fixed line numbers (starting 01 or 02) and are included as part of any inclusive or free minutes allowances (if offered by your phone tariff). Outside of free call packages call charges from mobile phones will cost between 3p and 55p per minute. Lines are open 8am-6pm weekdays and 9am-1pm Saturday (orders only on Saturday) Terms & Conditions: \*All savings are calculated as a percentage of Basic Annual Rate. The UK Basic annual rate is £91.87, which includes event issues (issues charged higher than standard cover price) published in a 12 month period. Your subscription will start with the next available issue. This offer is a special introductory offer for new UK print subscribers paying by direct debit only. If you cancel within 2 weeks of receiving your 5th issue you will pay no more than £12.99. Otherwise your subscription will continue at £34.99 every 6 issues. Full details of the Direct Debit guarantee are available upon request. Offer ends: **31st January 2026**.