

When printed  
at the correct  
size, this box  
will measure  
1in / 26mm  
square



# Templates

## Issue 125

PRINT AT 100% SIZE

When printed  
at the correct  
size, this box  
will measure  
1in / 26mm  
square

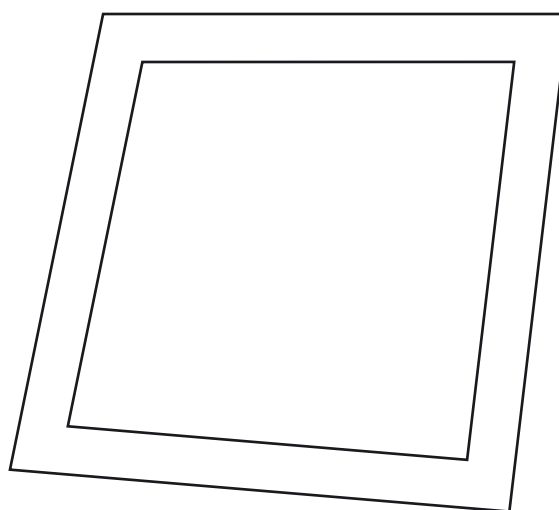
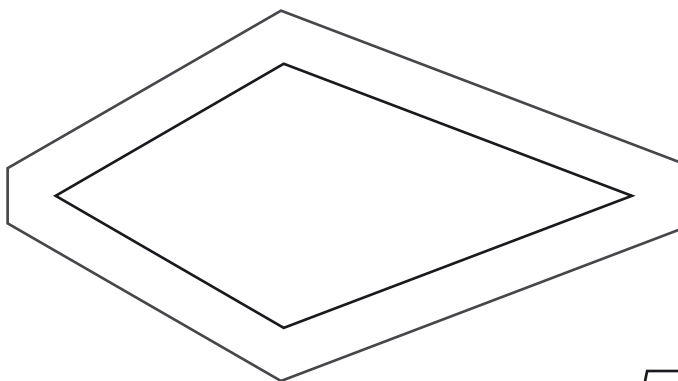
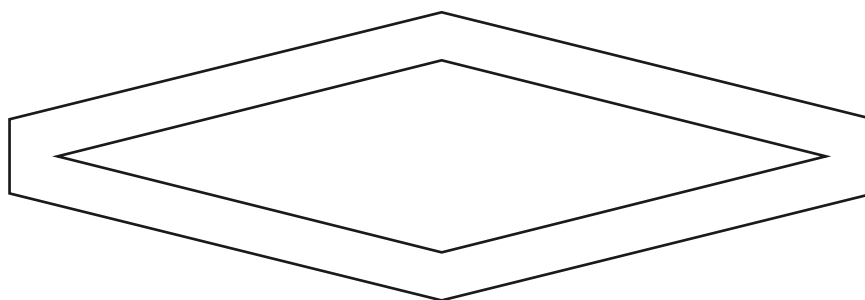
# VINTAGE VIBES

Paula Hope page 19

## PIECING TEMPLATES

ACTUAL SIZE

PLEASE NOTE: Templates include seam allowances.



When printed  
at the correct  
size, this box  
will measure  
1in / 26mm  
square

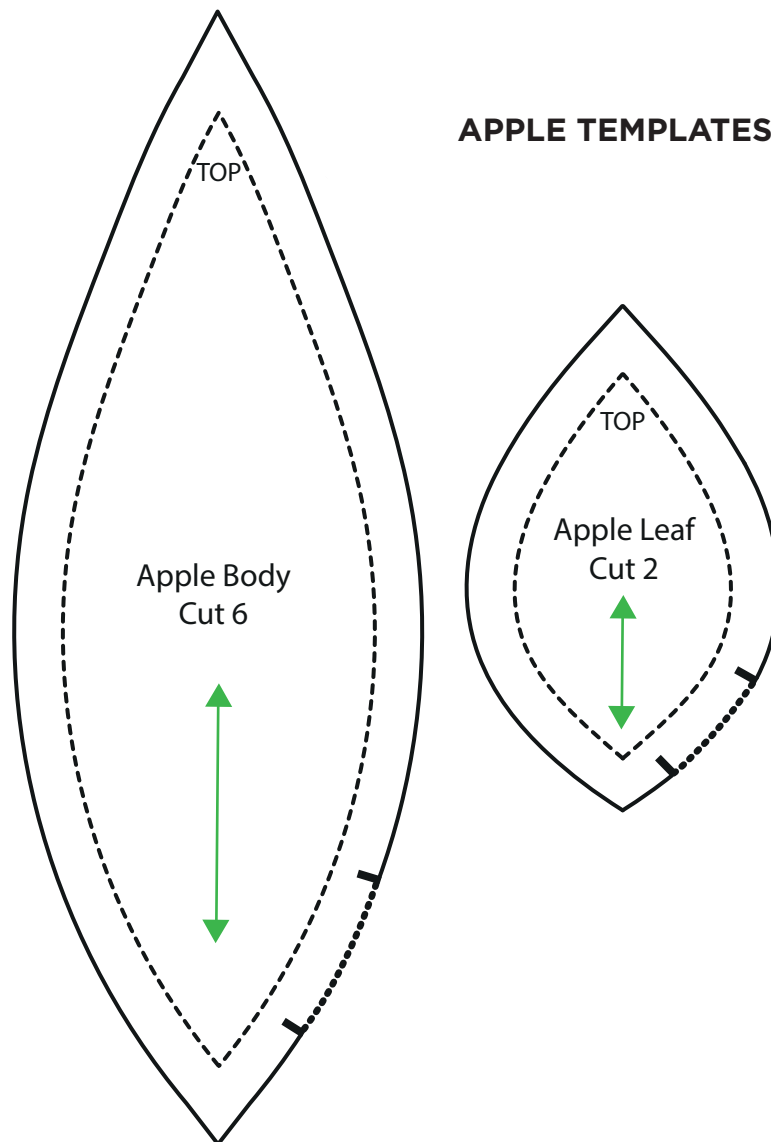
# FRUITS OF YOUR LABOUR

Linda Clements page 45

## PIECING TEMPLATES

ACTUAL SIZE

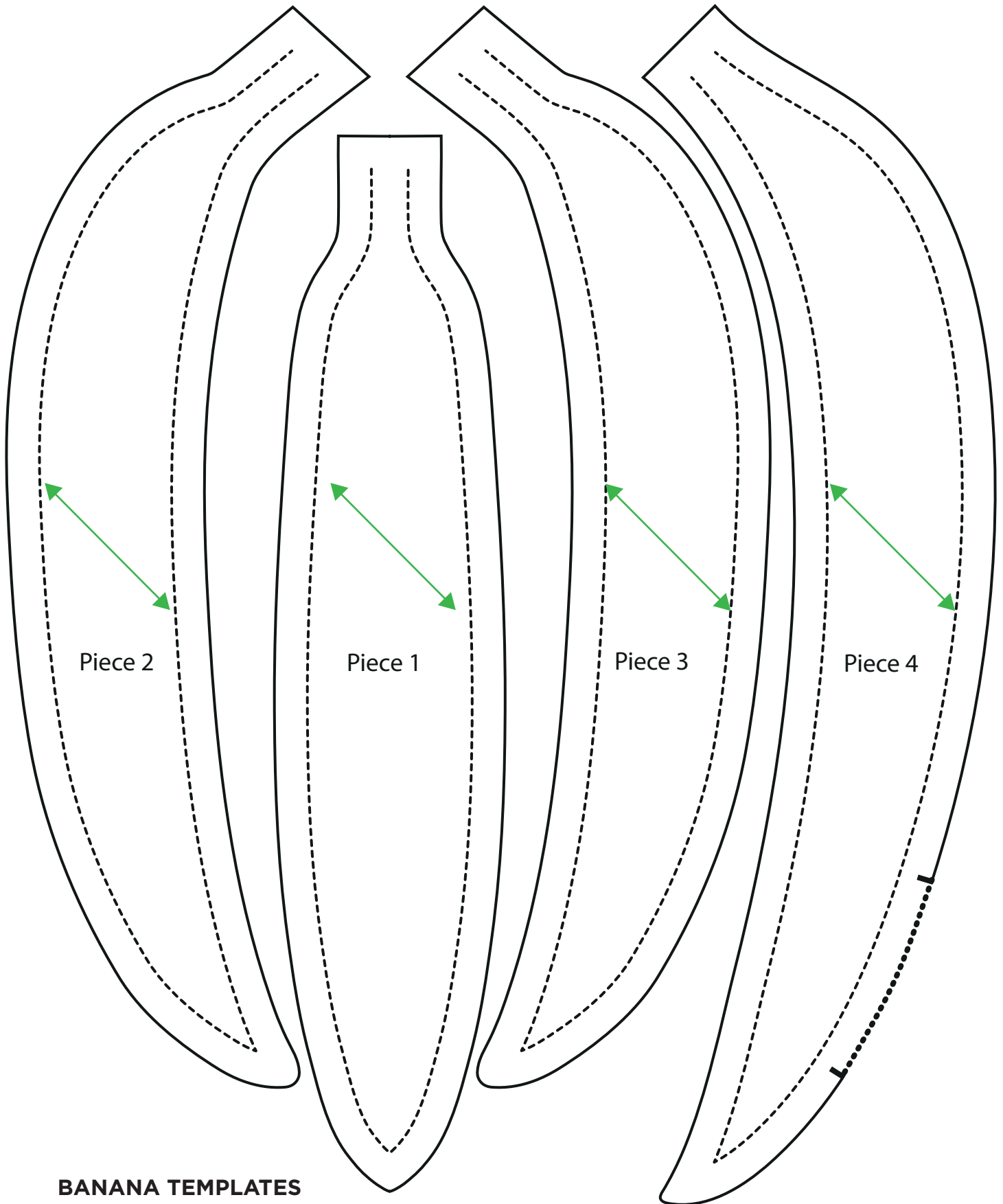
PLEASE NOTE: Templates include seam allowances.  
Dashed lines indicate finished seam. Dotted line  
indicates gap needed. Green arrows indicate fabric grain



When printed at the correct size, this box will measure 1in / 26mm square

# FRUITS OF YOUR LABOUR

Linda Clements page 45



## BANANA TEMPLATES

Thank you for making this project from Today's Quilter. The copyright for these templates belongs to the designer of the project. Please don't re-sell or distribute their work without permission. Please do not make any part of the templates or instructions available to others through your website or a third party website, or copy it multiple times without our permission. Copyright law protects creative work and unauthorised copying is illegal. We appreciate your help.

When printed  
at the correct  
size, this box  
will measure  
1in / 26mm  
square

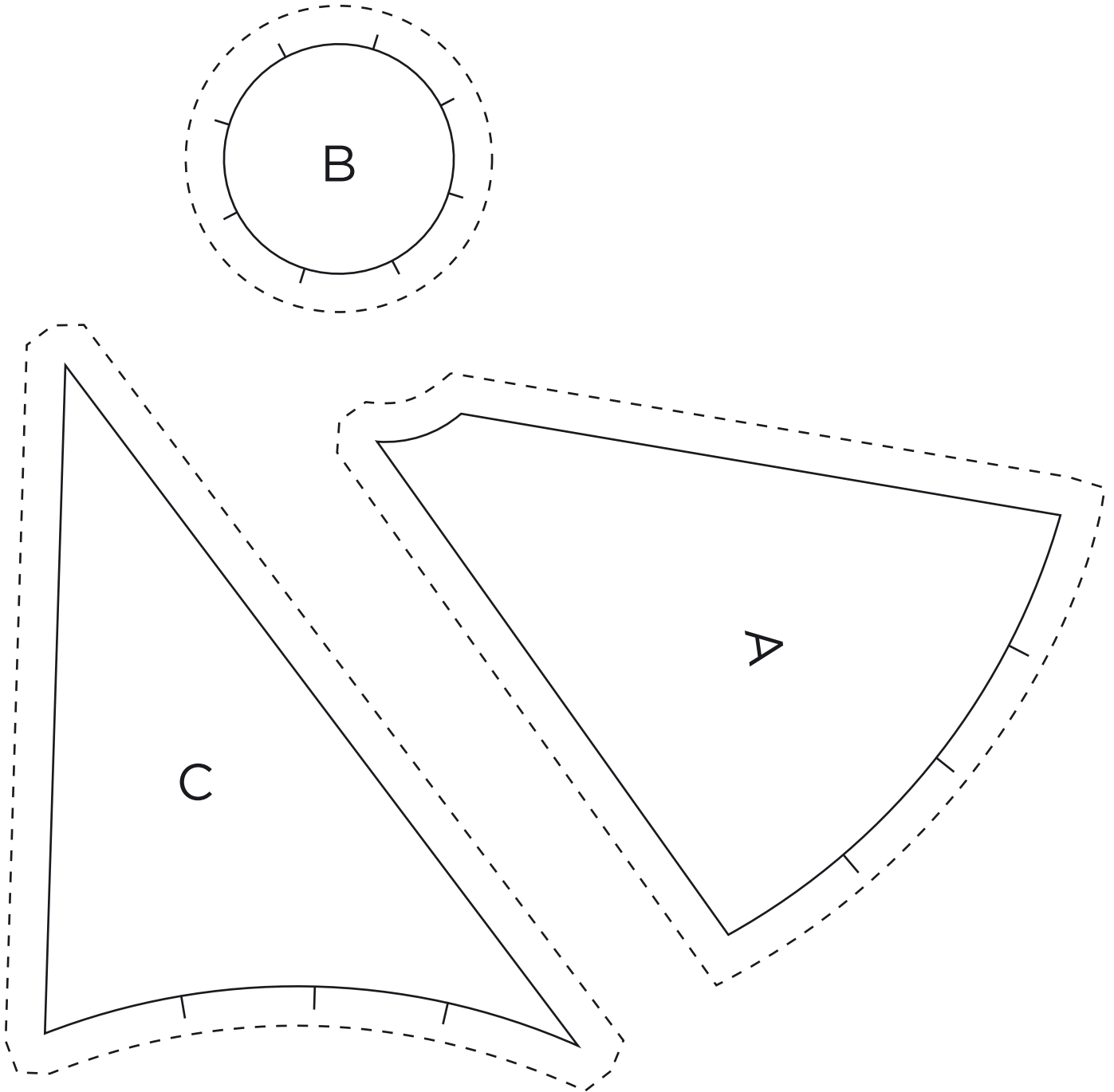
# QUILT SCHOOL

Sarah Falco page 57

## WICKLEWOOD MILL PIECING TEMPLATES

ACTUAL SIZE

PLEASE NOTE: Templates include seam allowances.



When printed  
at the correct  
size, this box  
will measure  
1in / 26mm  
square

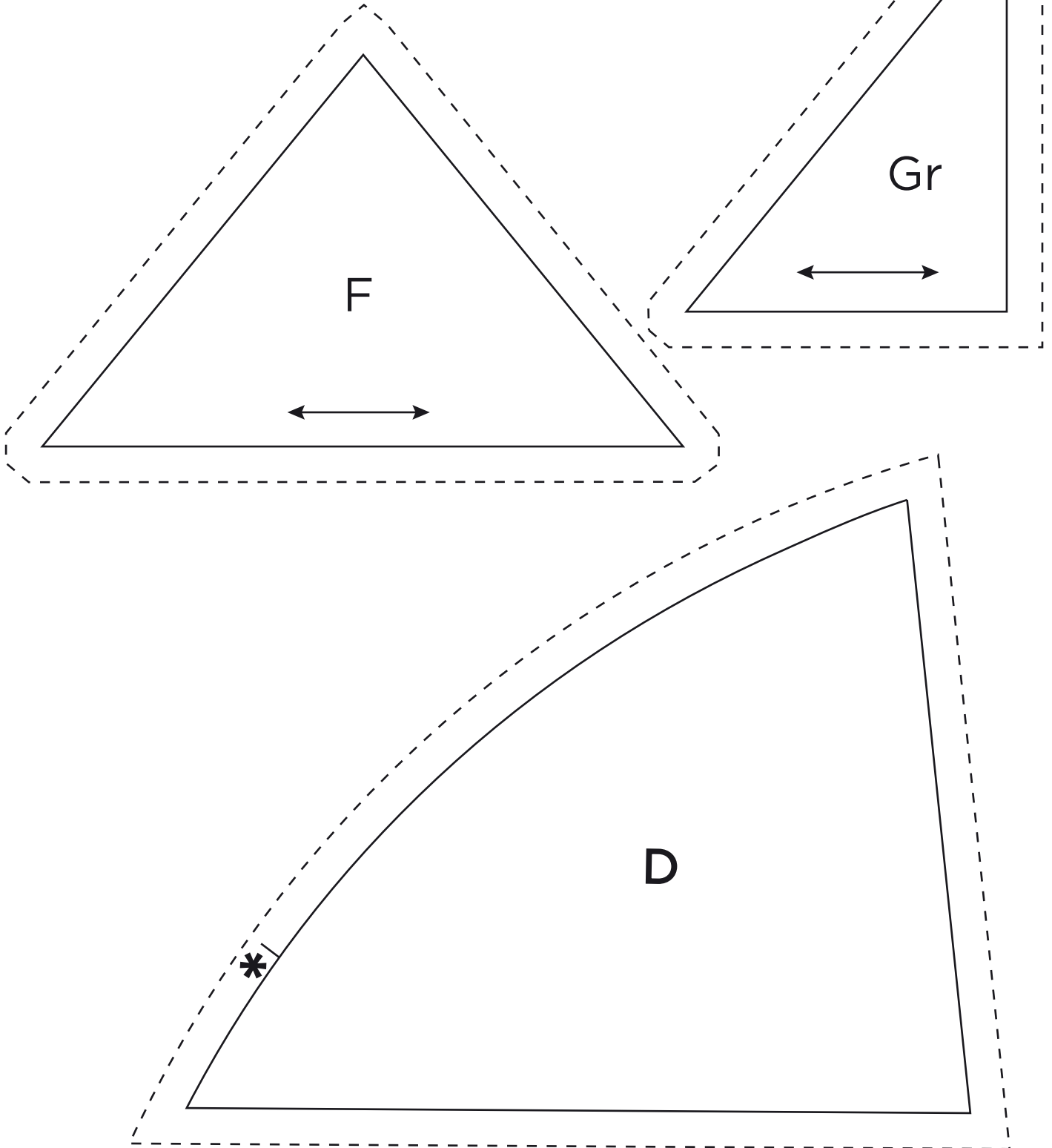
# QUILT SCHOOL

Sarah Falco page 57

## WICKLEWOOD MILL PIECING TEMPLATES

ACTUAL SIZE

PLEASE NOTE: Templates include seam allowances.



When printed at the correct size, this box will measure 1in / 26mm square

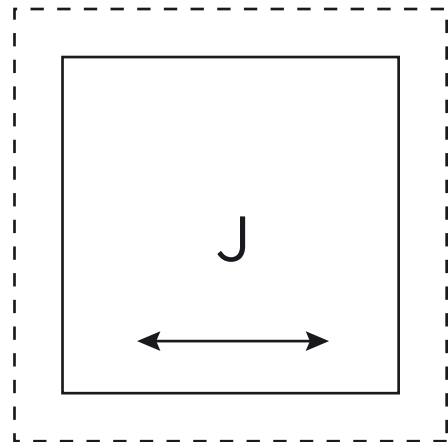
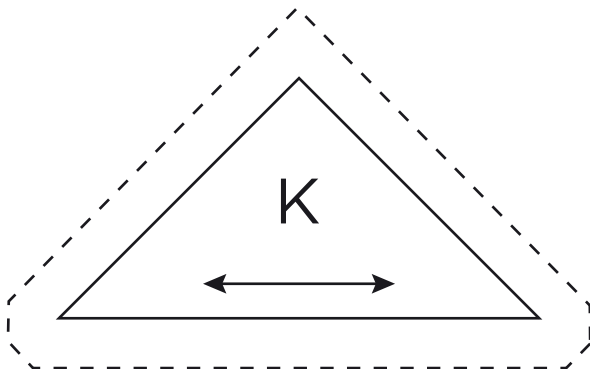
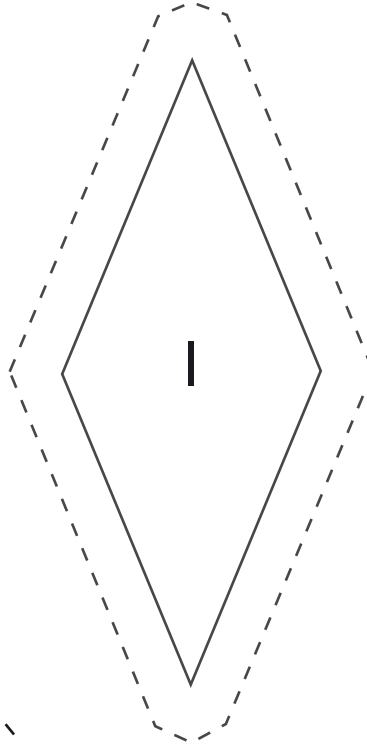
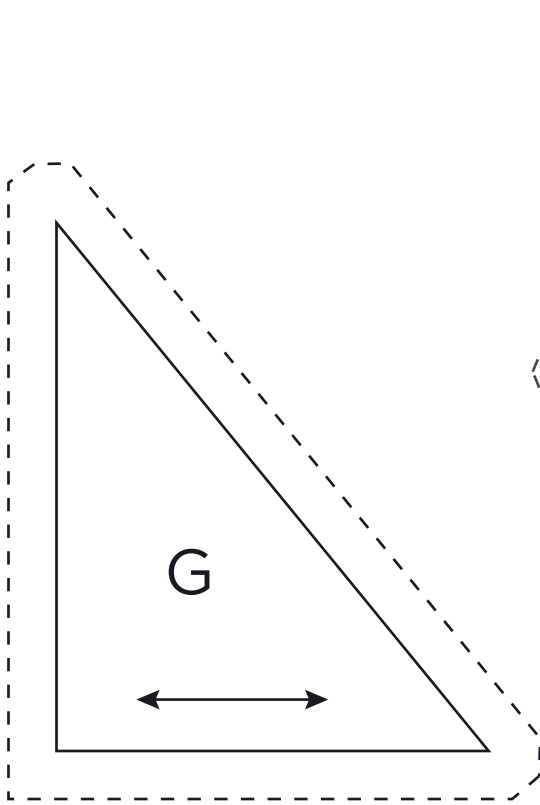
# QUILT SCHOOL

Sarah Falco page 57

## WICKLEWOOD MILL PIECING TEMPLATES

ACTUAL SIZE

PLEASE NOTE: Templates include seam allowances.



When printed at the correct size, this box will measure 1in / 26mm square

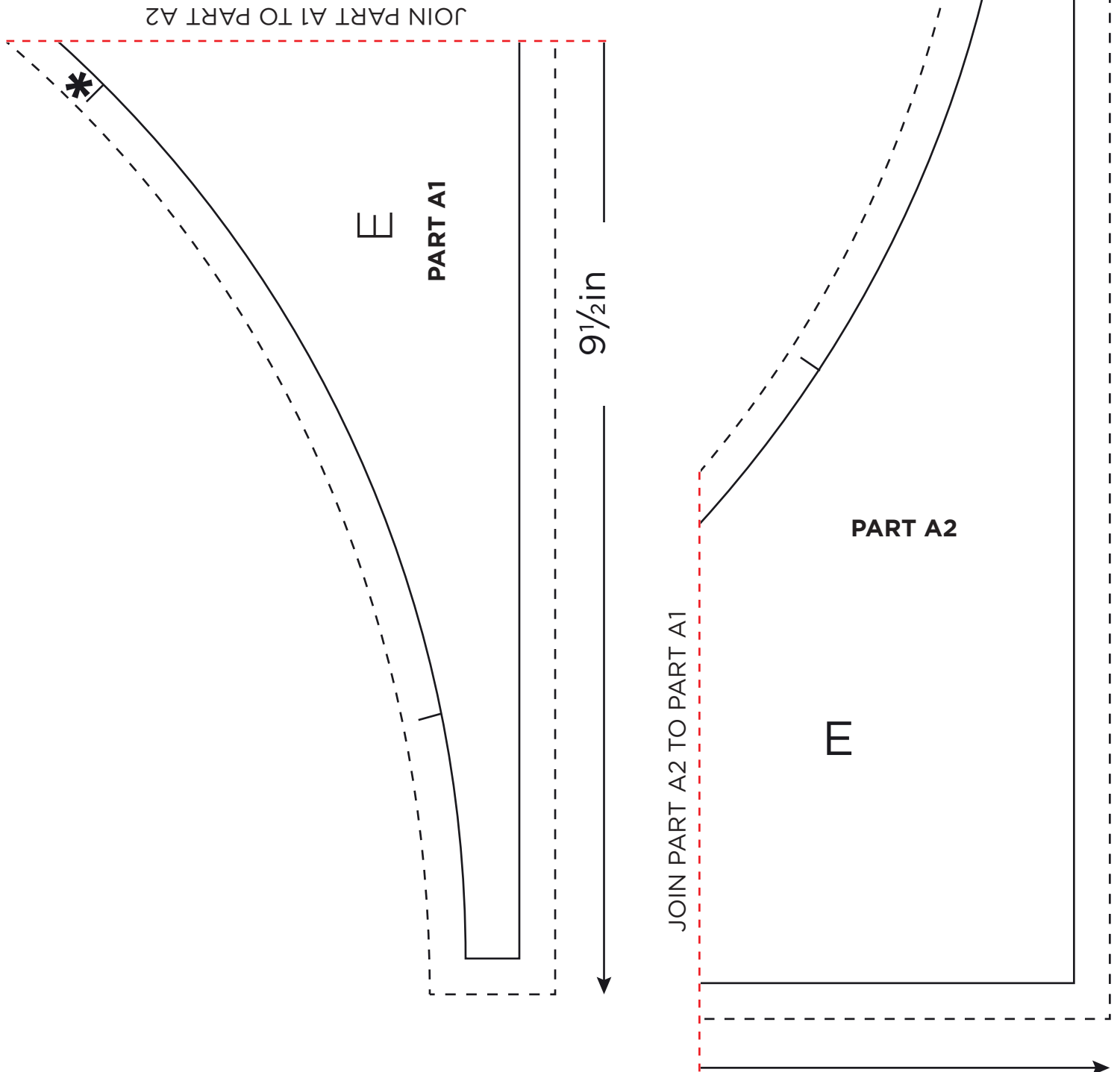
# QUILT SCHOOL

Sarah Falco page 57

## WICKLEWOOD MILL PIECING TEMPLATES

ACTUAL SIZE

PLEASE NOTE: Templates include seam allowances.



When printed at the correct size, this box will measure 1in / 26mm square

# SIX GEESE A-LAYING

Anne Varley page 69

APPLIQUÉ TEMPLATES, BLOCK AND LONG SIDE BORDER

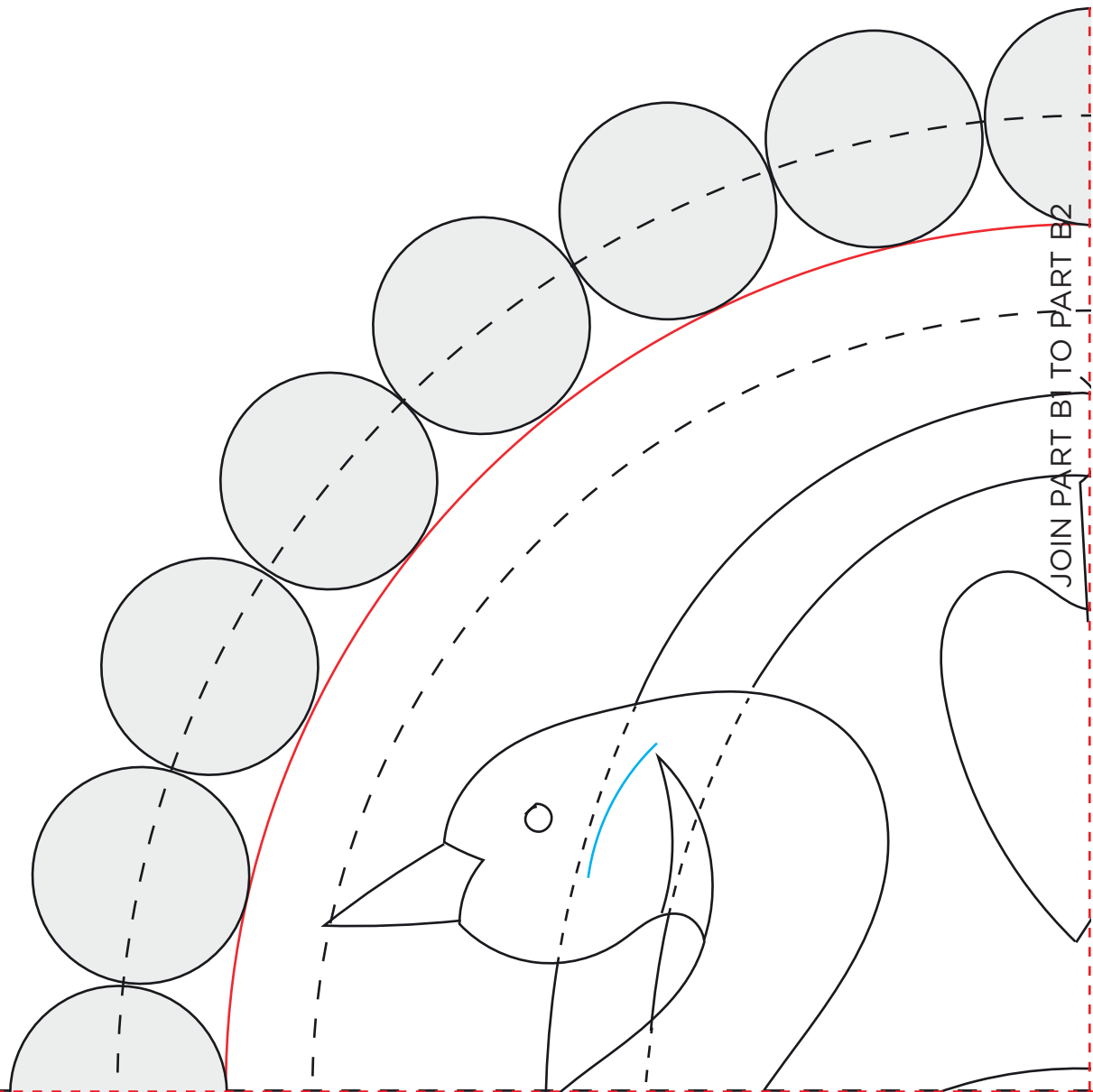
**BLOCK 6  
PART B1**

ACTUAL SIZE

PLEASE NOTE: Templates DO NOT include seam allowances.

16in Cut size

14in Finished size



JOIN PART B1 TO PART B3

Thank you for making this project from Today's Quilter. The copyright for these templates belongs to the designer of the project. Please don't re-sell or distribute their work without permission. Please do not make any part of the templates or instructions available to others through your website or a third party website, or copy it multiple times without our permission. Copyright law protects creative work and unauthorised copying is illegal. We appreciate your help.

When printed at the correct size, this box will measure 1in / 26mm square

# SIX GEESE A-LAYING

Anne Varley page 69

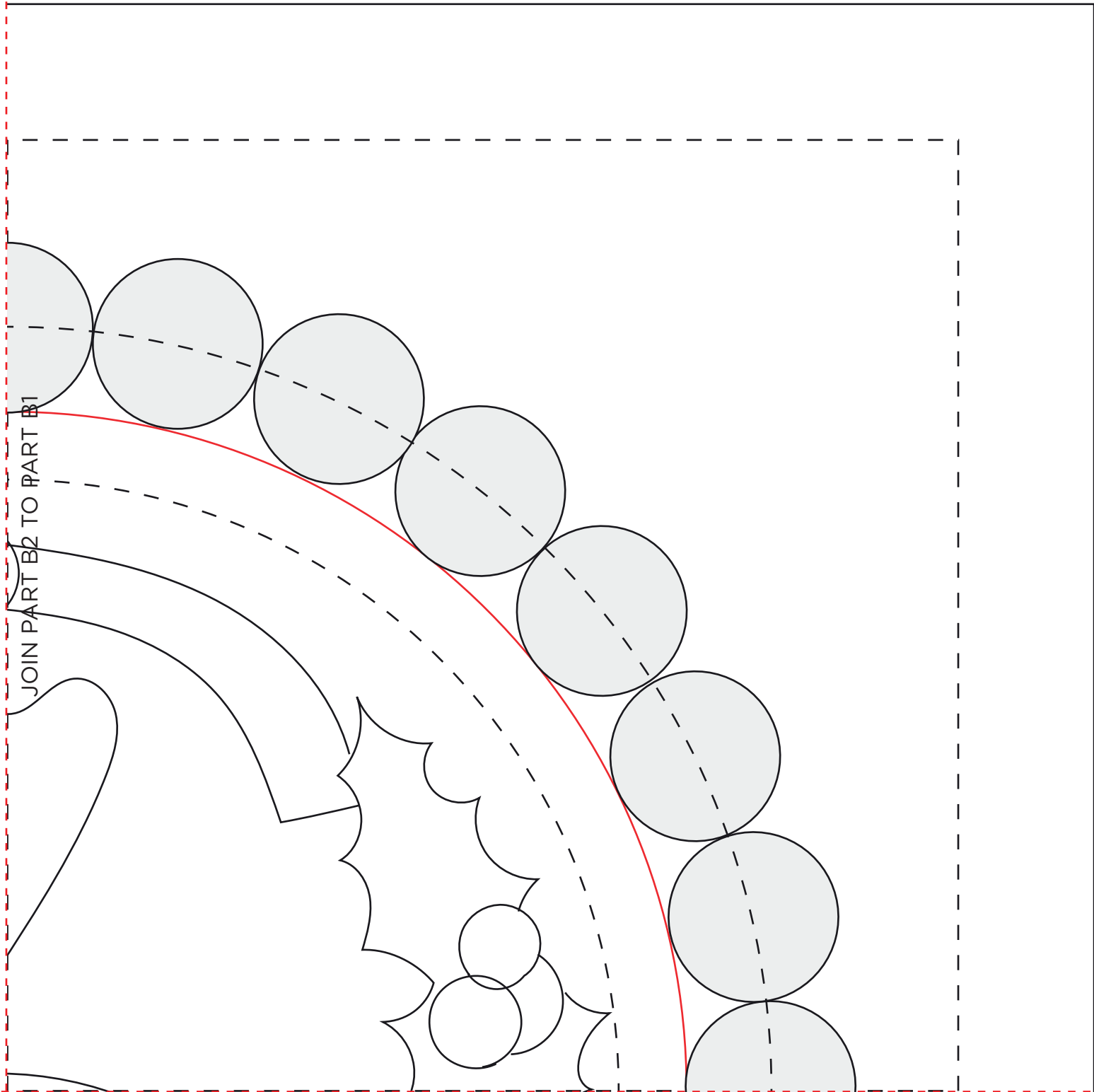
APPLIQUÉ TEMPLATES, BLOCK AND LONG SIDE BORDER



ACTUAL SIZE

PLEASE NOTE: Templates DO NOT include seam allowances.

**BLOCK 6  
PART B2**



JOIN PART B2 TO PART B1

JOIN PART B2 TO PART B4

Thank you for making this project from Today's Quilter. The copyright for these templates belongs to the designer of the project. Please don't re-sell or distribute their work without permission. Please do not make any part of the templates or instructions available to others through your website or a third party website, or copy it multiple times without our permission. Copyright law protects creative work and unauthorised copying is illegal. We appreciate your help.

When printed at the correct size, this box will measure 1in / 26mm square

# SIX GEESE A-LAYING

Anne Varley page 69

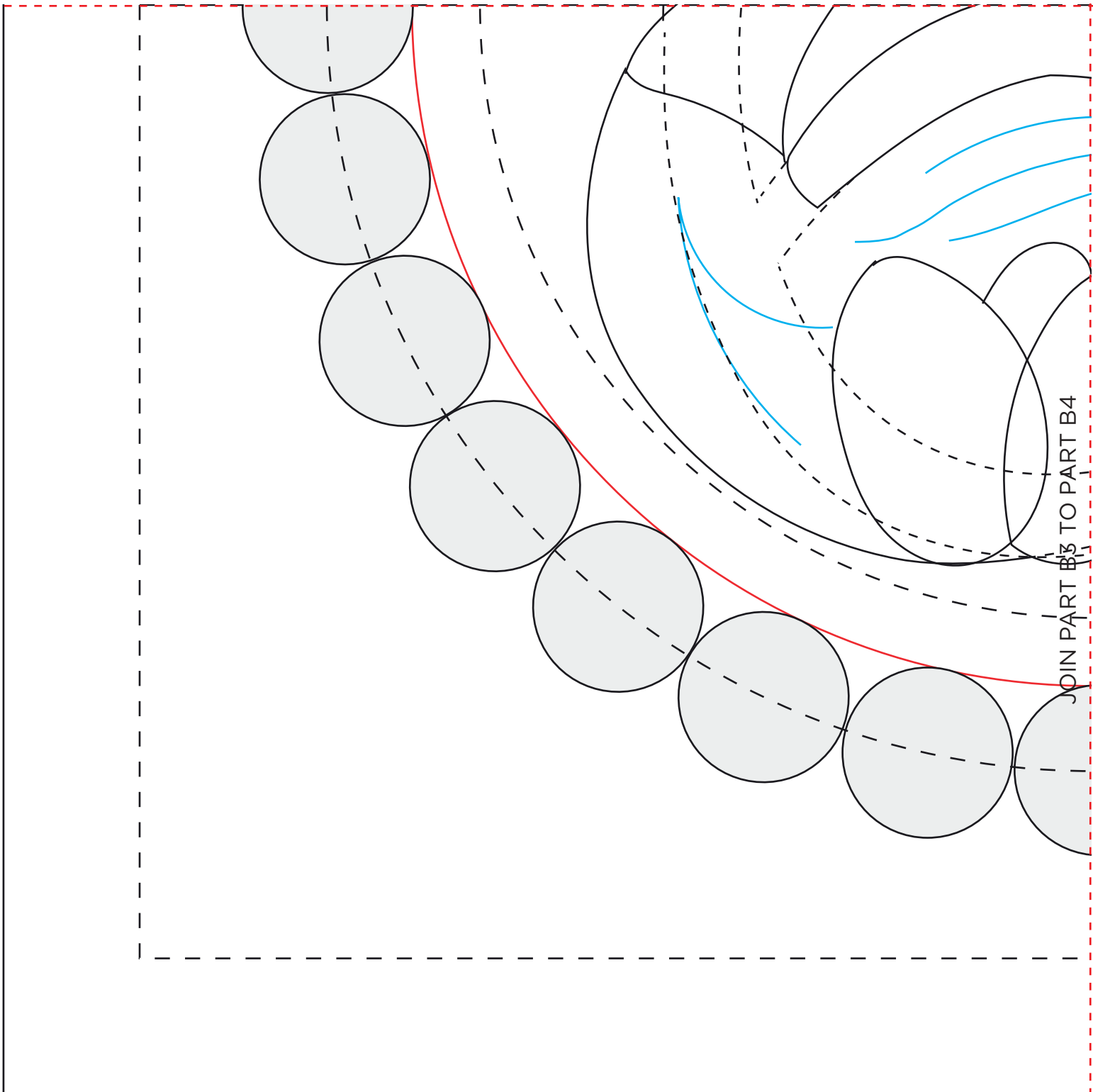
APPLIQUÉ TEMPLATES, BLOCK AND LONG SIDE BORDER

**BLOCK 6  
PART B3**

ACTUAL SIZE

PLEASE NOTE: Templates DO NOT include seam allowances.

JOIN PART B3 TO PART B1



When printed at the correct size, this box will measure 1in / 26mm square

# SIX GEESE A-LAYING

Anne Varley page 69

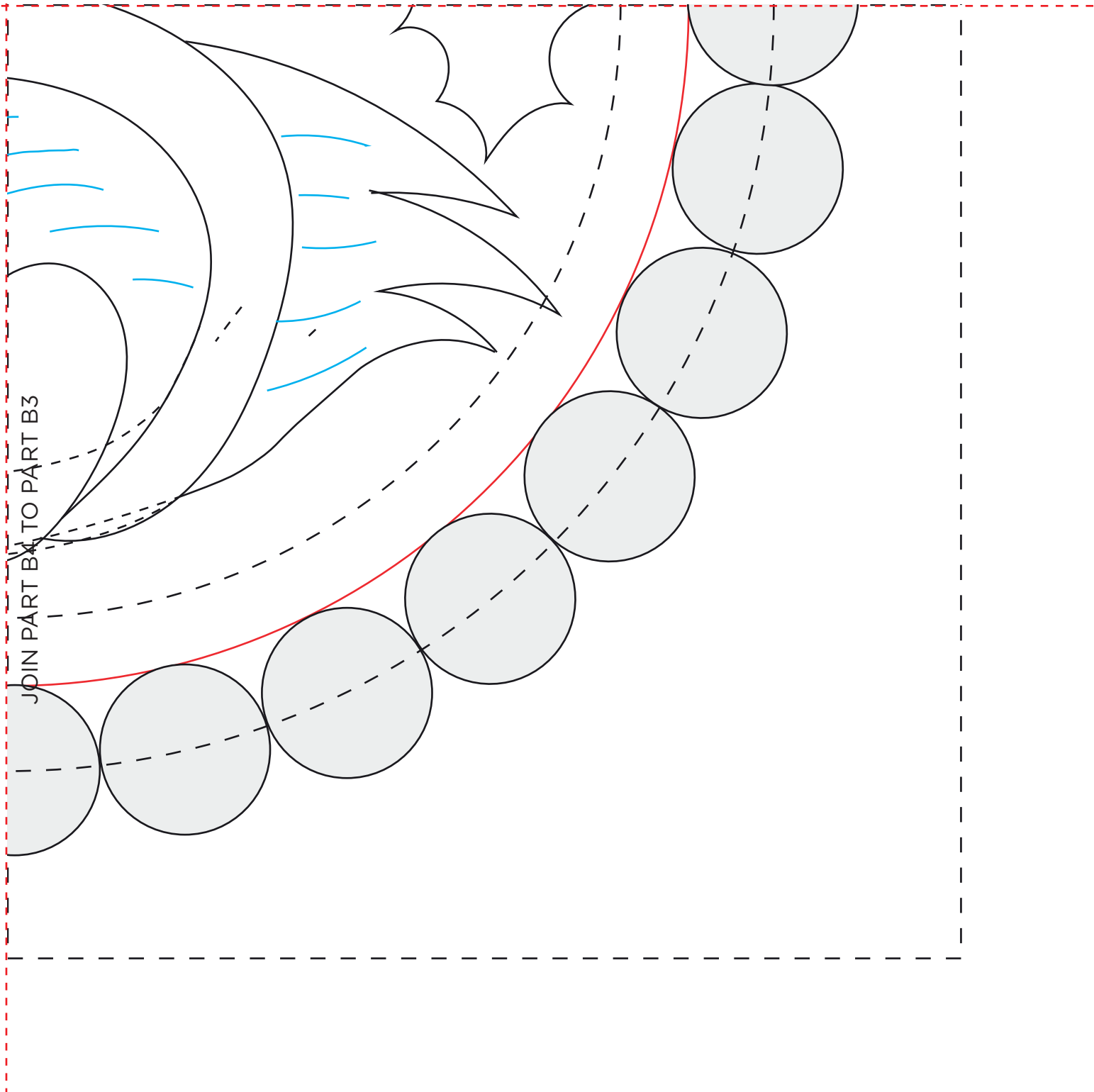
## APPLIQUÉ TEMPLATES, BLOCK AND LONG SIDE BORDER

### BLOCK 6 PART B4

ACTUAL SIZE

PLEASE NOTE: Templates DO NOT include seam allowances.

JOIN PART B4 TO PART B2



When printed  
at the correct  
size, this box  
will measure  
1in / 26mm  
square

# SIX GEESE A-LAYING

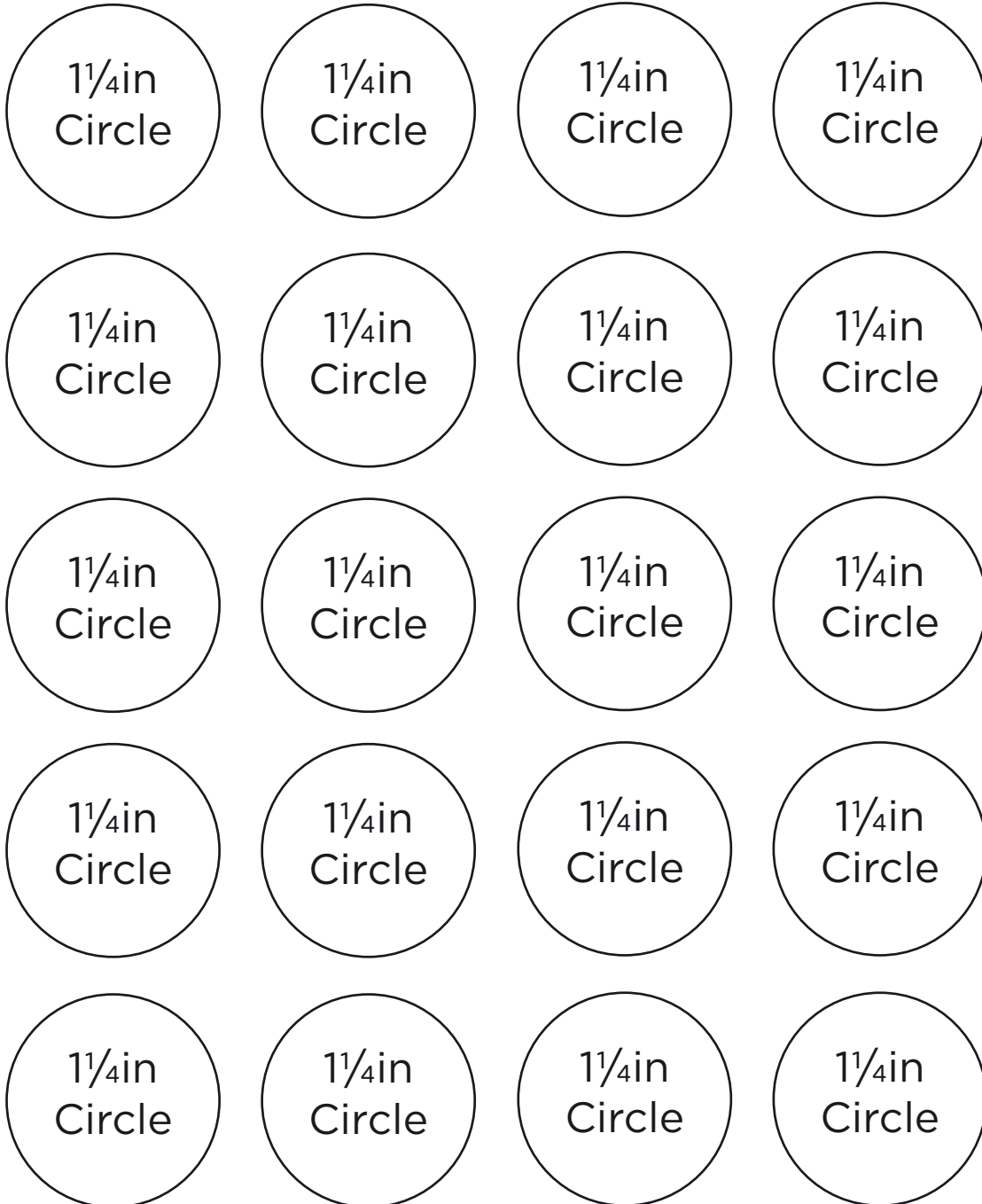
Anne Varley page 69

## APPLIQUÉ TEMPLATES, BLOCK AND LONG SIDE BORDER

ACTUAL SIZE

### BLOCK CIRCLES

PLEASE NOTE: Templates DO NOT include seam allowances.



When printed  
at the correct  
size, this box  
will measure  
1in / 26mm  
square

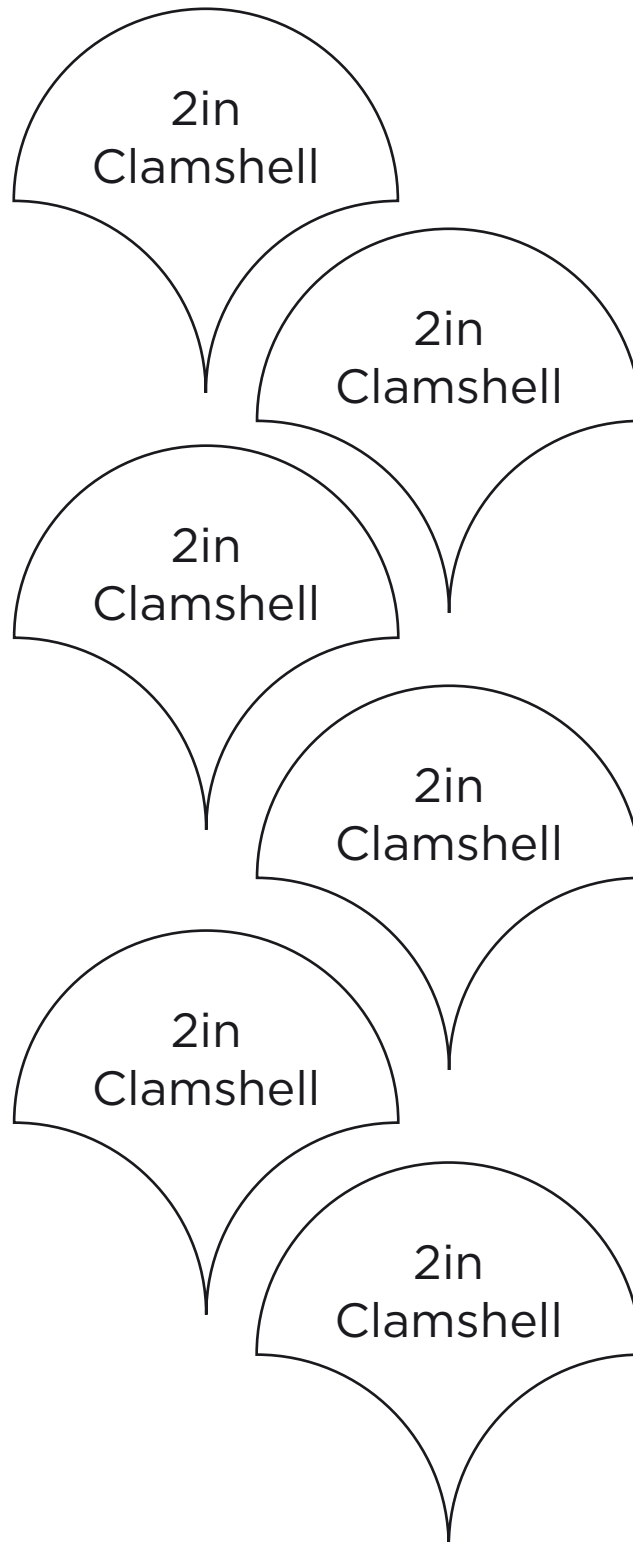
# SIX GEESE A-LAYING

Anne Varley page 69

## APPLIQUÉ TEMPLATES, BLOCK AND LONG SIDE BORDER

ACTUAL SIZE

PLEASE NOTE: Templates DO NOT include seam allowances.



When printed at the correct size, this box will measure 1in / 26mm square

# SIX GEESE A-LAYING

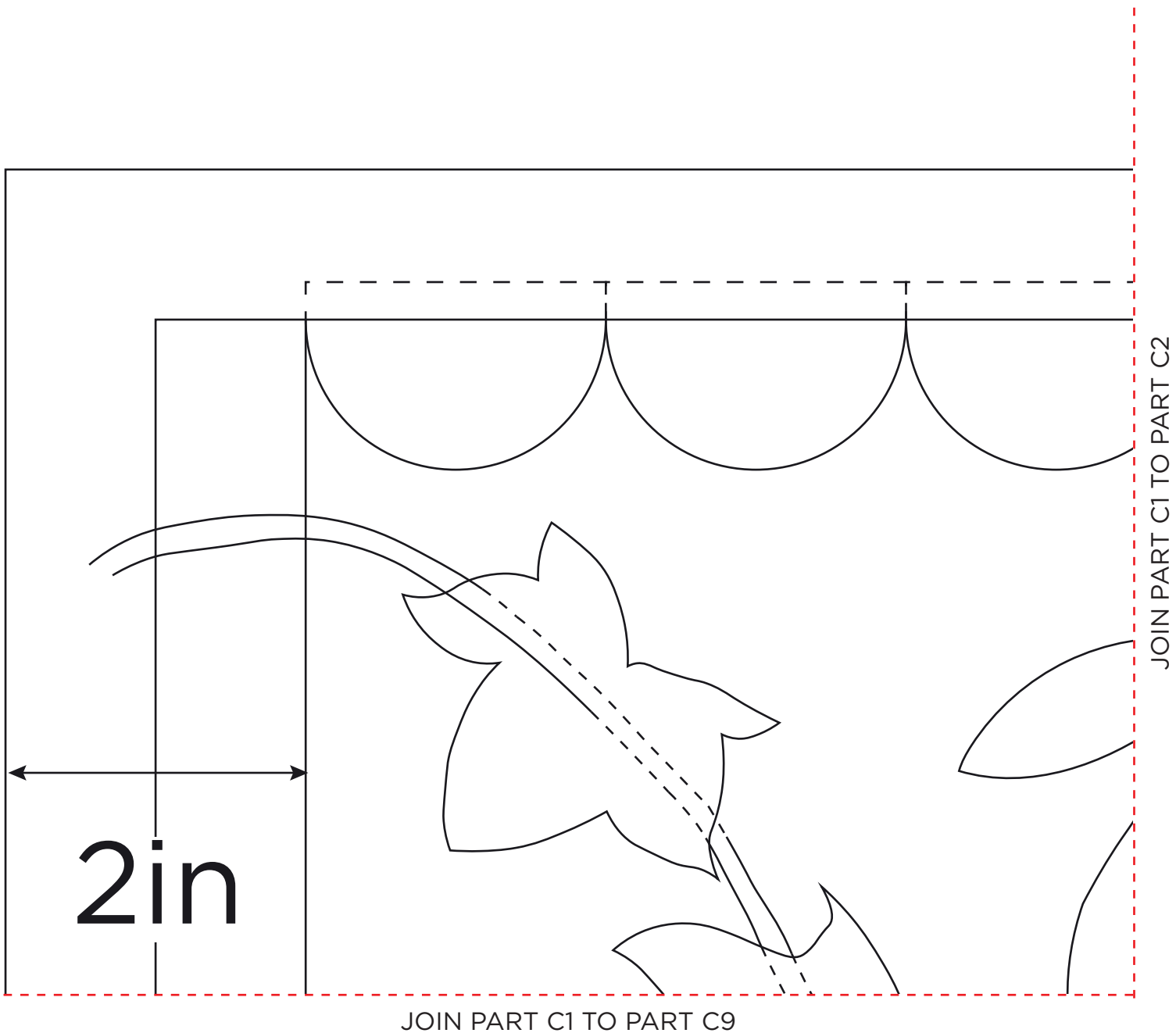
Anne Varley page 69

## APPLIQUÉ TEMPLATES, BLOCK AND LONG SIDE BORDER

ACTUAL SIZE

PLEASE NOTE: Templates DO NOT include seam allowances.

### LONG SIDE BORDER PART C1



When printed at the correct size, this box will measure 1in / 26mm square

# SIX GEESE A-LAYING

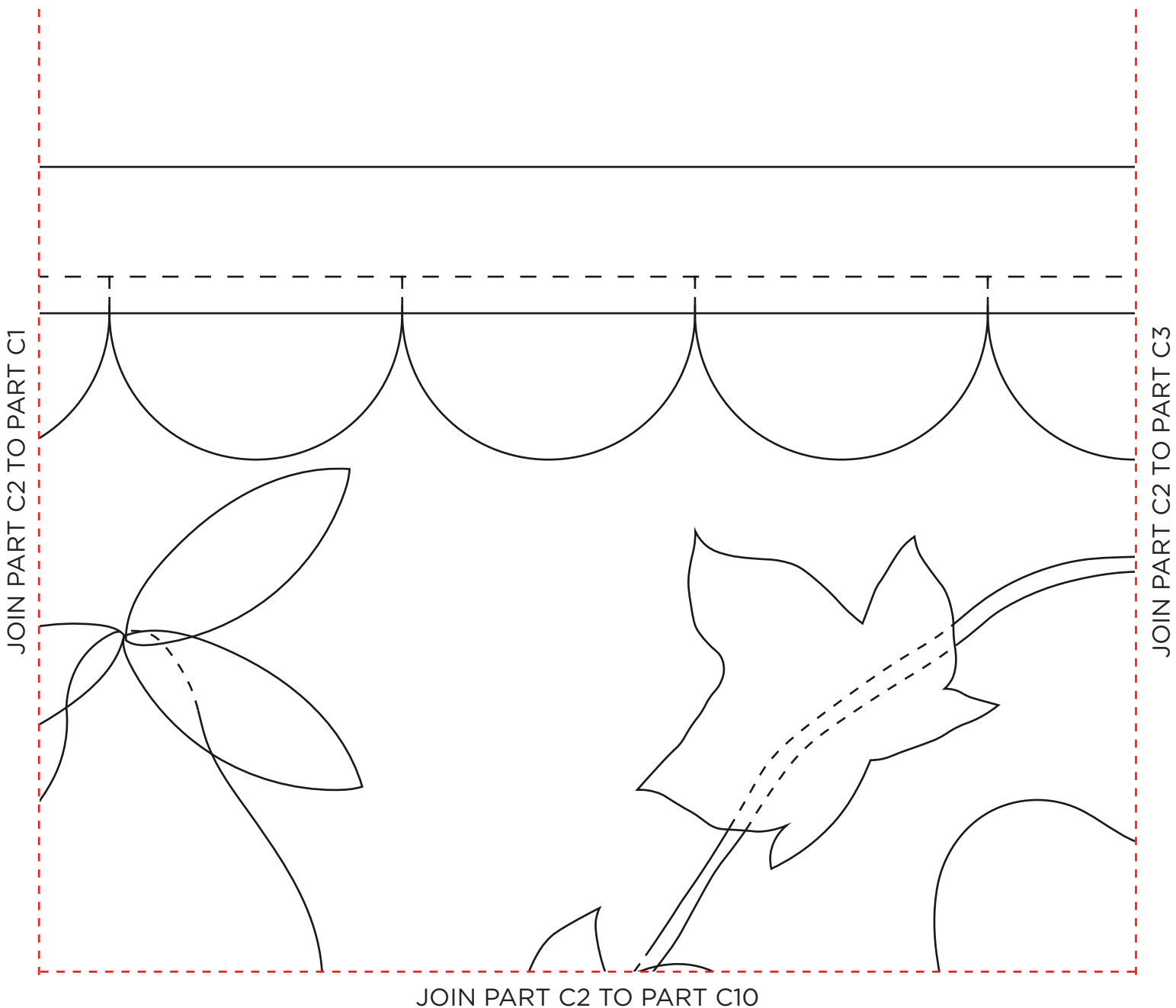
Anne Varley page 69

**APPLIQUÉ TEMPLATES, BLOCK AND LONG SIDE BORDER**

— —  
ACTUAL SIZE

PLEASE NOTE: Templates DO NOT include seam allowances.

**LONG SIDE  
BORDER  
PART C2**



When printed  
at the correct  
size, this box  
will measure  
1in / 26mm  
square

# SIX GEESE A-LAYING

Anne Varley page 69

**APPLIQUÉ TEMPLATES, BLOCK AND LONG SIDE BORDER**

ACTUAL SIZE

PLEASE NOTE: Templates DO NOT include seam allowances.

## LONG SIDE BORDER PART C3

JOIN PART C3 TO PART C2

JOIN PART C3 TO PART C4

JOIN PART C3 TO PART C11

When printed at the correct size, this box will measure 1in / 26mm square

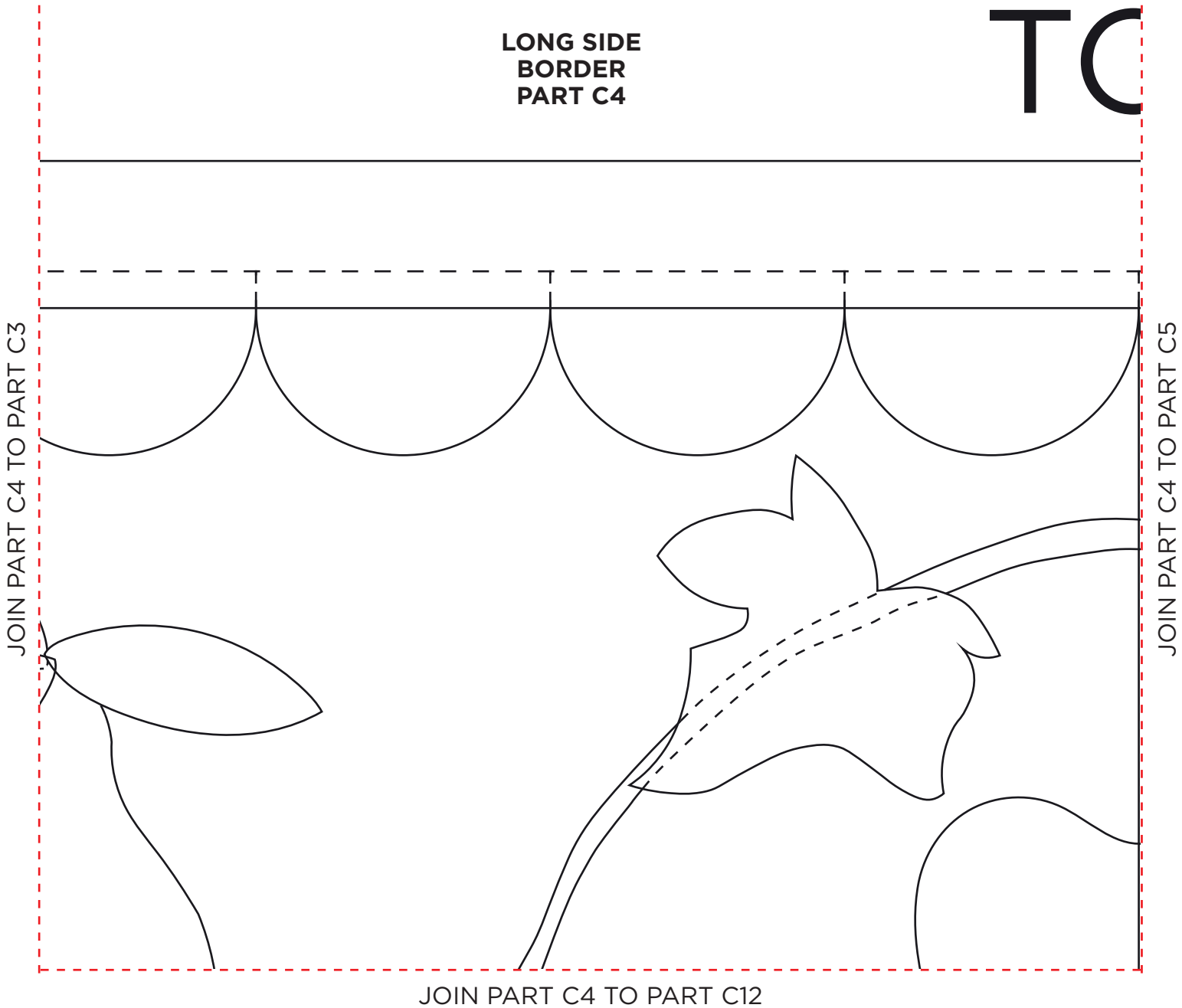
# SIX GEESE A-LAYING

Anne Varley page 69

**APPLIQUÉ TEMPLATES, BLOCK AND LONG SIDE BORDER**

ACTUAL SIZE

PLEASE NOTE: Templates DO NOT include seam allowances.



When printed at the correct size, this box will measure 1in / 26mm square

# SIX GEESE A-LAYING

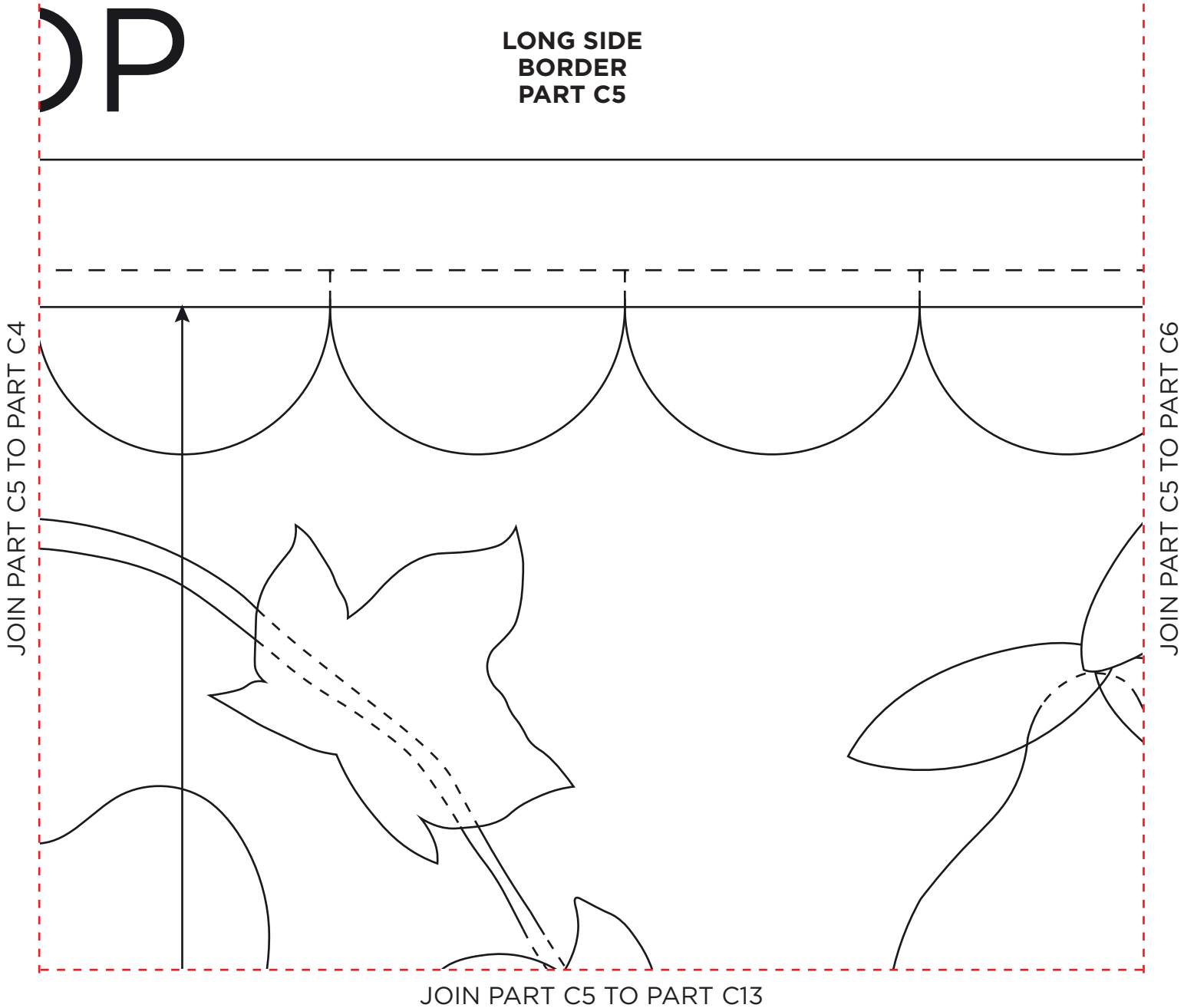
Anne Varley page 69

**APPLIQUÉ TEMPLATES, BLOCK AND LONG SIDE BORDER**

ACTUAL SIZE

PLEASE NOTE: Templates DO NOT include seam allowances.

## LONG SIDE BORDER PART C5



When printed at the correct size, this box will measure 1in / 26mm square

# SIX GEESE A-LAYING

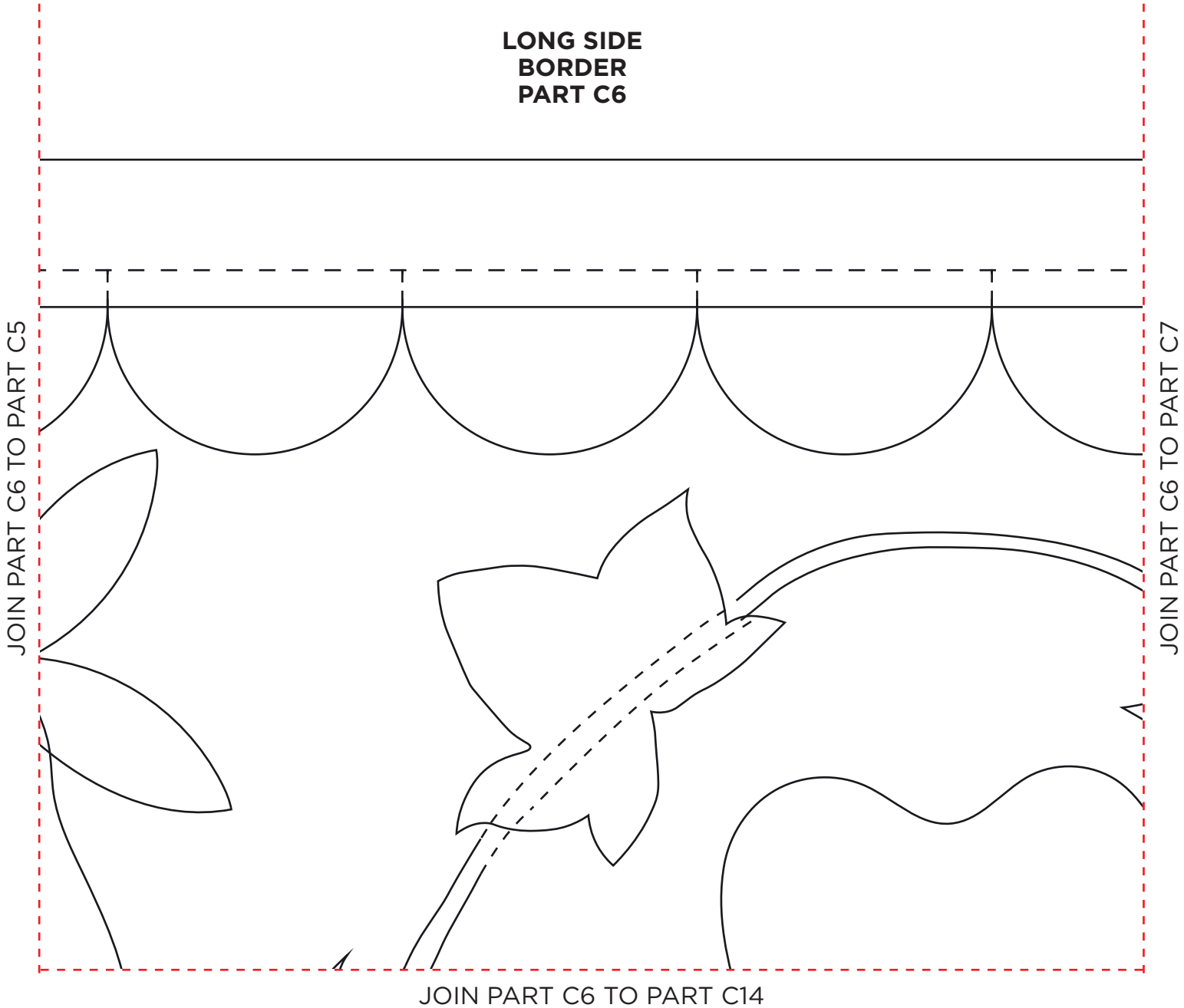
Anne Varley page 69

## APPLIQUÉ TEMPLATES, BLOCK AND LONG SIDE BORDER

ACTUAL SIZE

PLEASE NOTE: Templates DO NOT include seam allowances.

### LONG SIDE BORDER PART C6



When printed at the correct size, this box will measure 1in / 26mm square

# SIX GEESE A-LAYING

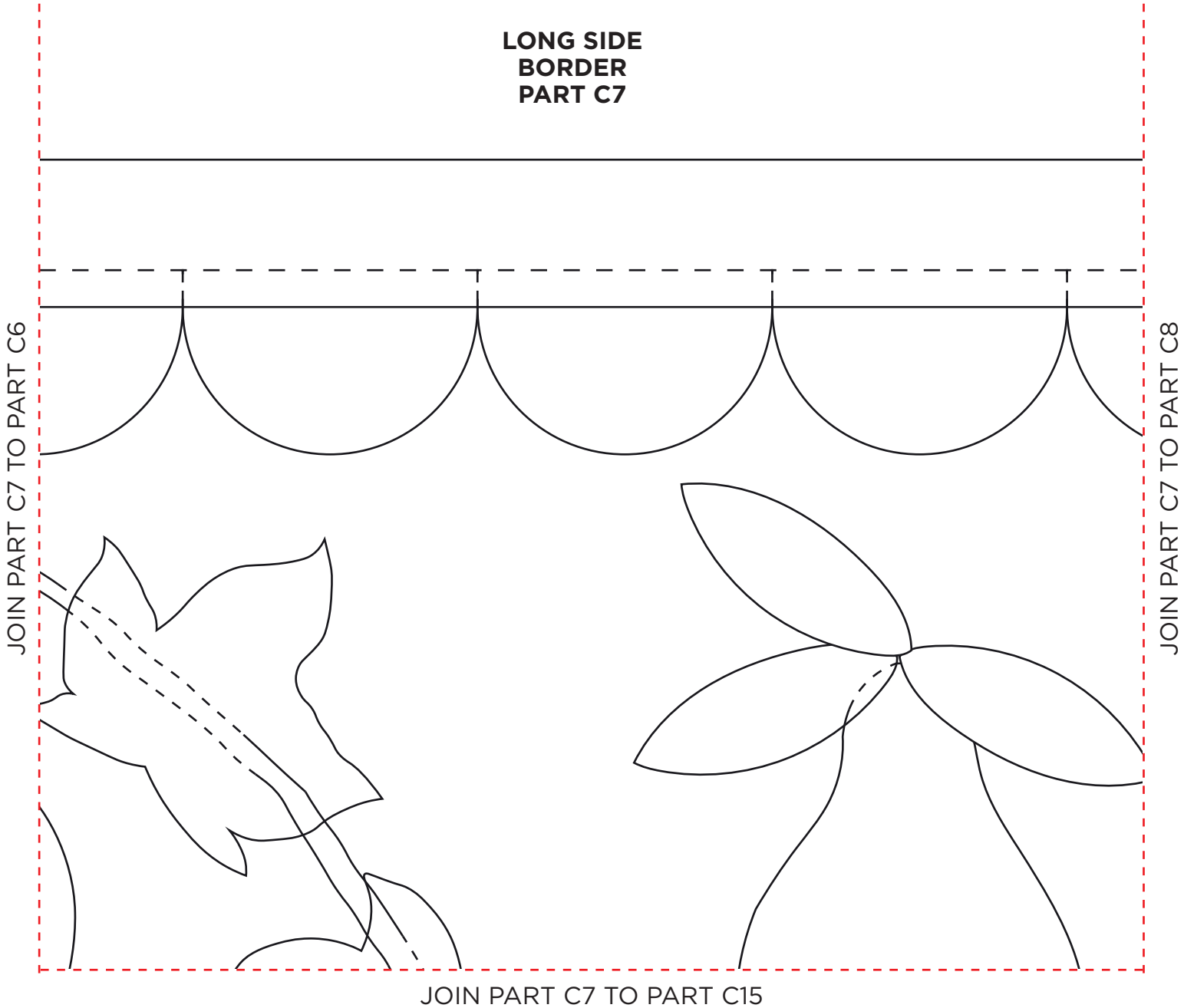
Anne Varley page 69

**APPLIQUÉ TEMPLATES, BLOCK AND LONG SIDE BORDER**

ACTUAL SIZE

PLEASE NOTE: Templates DO NOT include seam allowances.

## LONG SIDE BORDER PART C7



When printed at the correct size, this box will measure 1in / 26mm square

# SIX GEESE A-LAYING

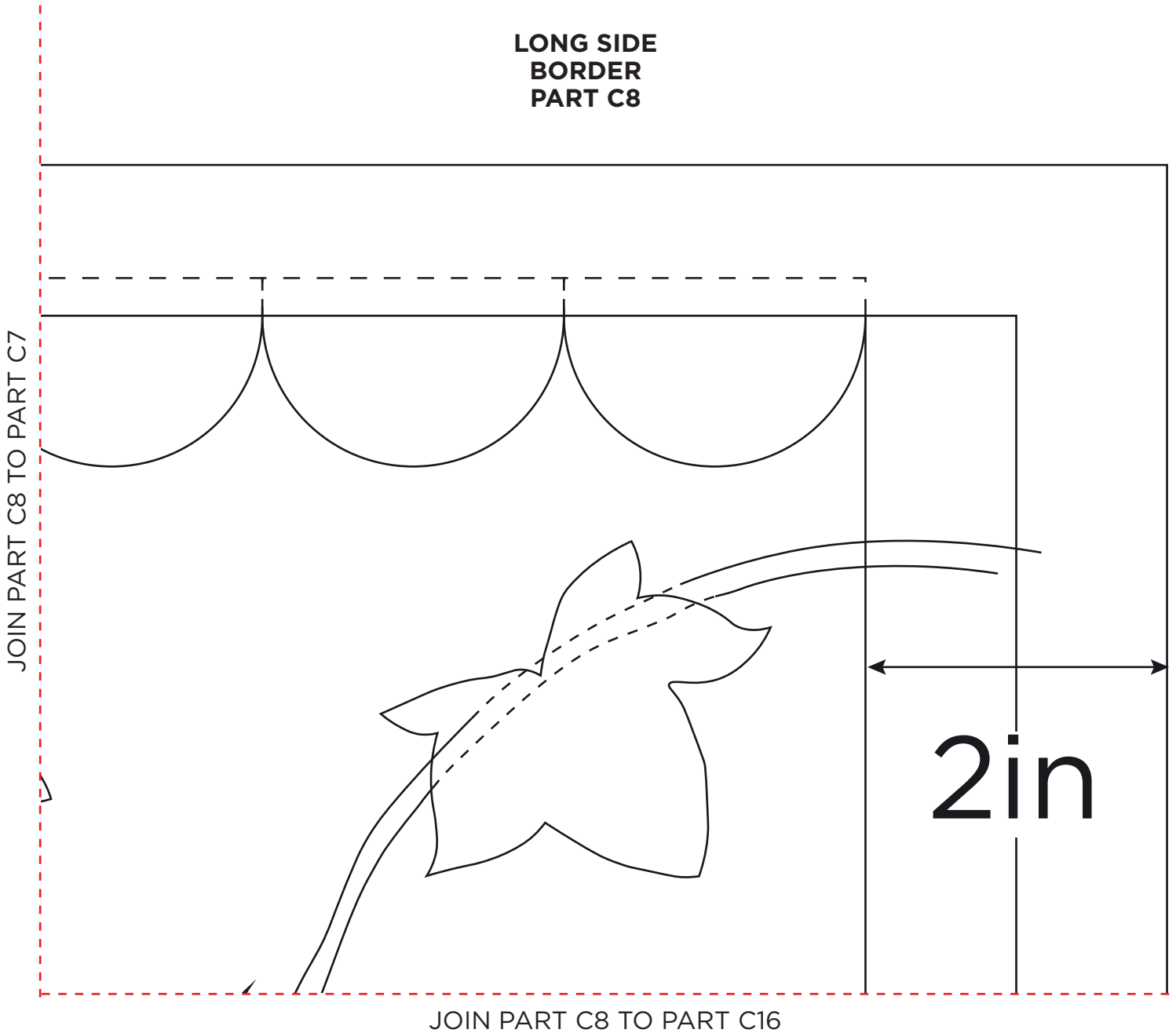
Anne Varley page 69

## APPLIQUÉ TEMPLATES, BLOCK AND LONG SIDE BORDER

ACTUAL SIZE

PLEASE NOTE: Templates DO NOT include seam allowances.

### LONG SIDE BORDER PART C8



When printed at the correct size, this box will measure 1in / 26mm square

# SIX GEESE A-LAYING

Anne Varley page 69

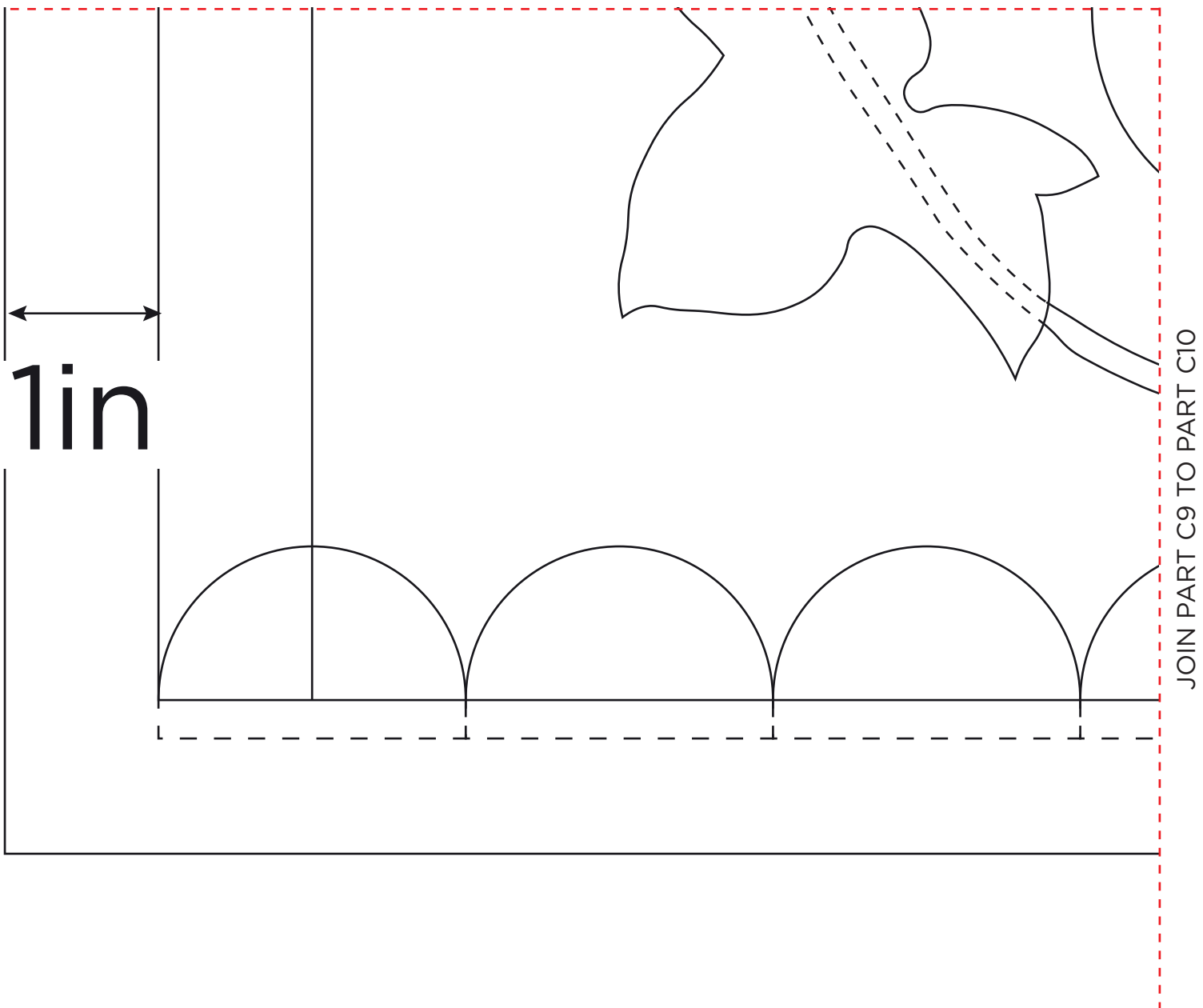
## APPLIQUÉ TEMPLATES, BLOCK AND LONG SIDE BORDER

ACTUAL SIZE

PLEASE NOTE: Templates DO NOT include seam allowances.

### LONG SIDE BORDER PART C9

JOIN PART C9 TO PART C1



When printed at the correct size, this box will measure 1in / 26mm square

# SIX GEESE A-LAYING

Anne Varley page 69

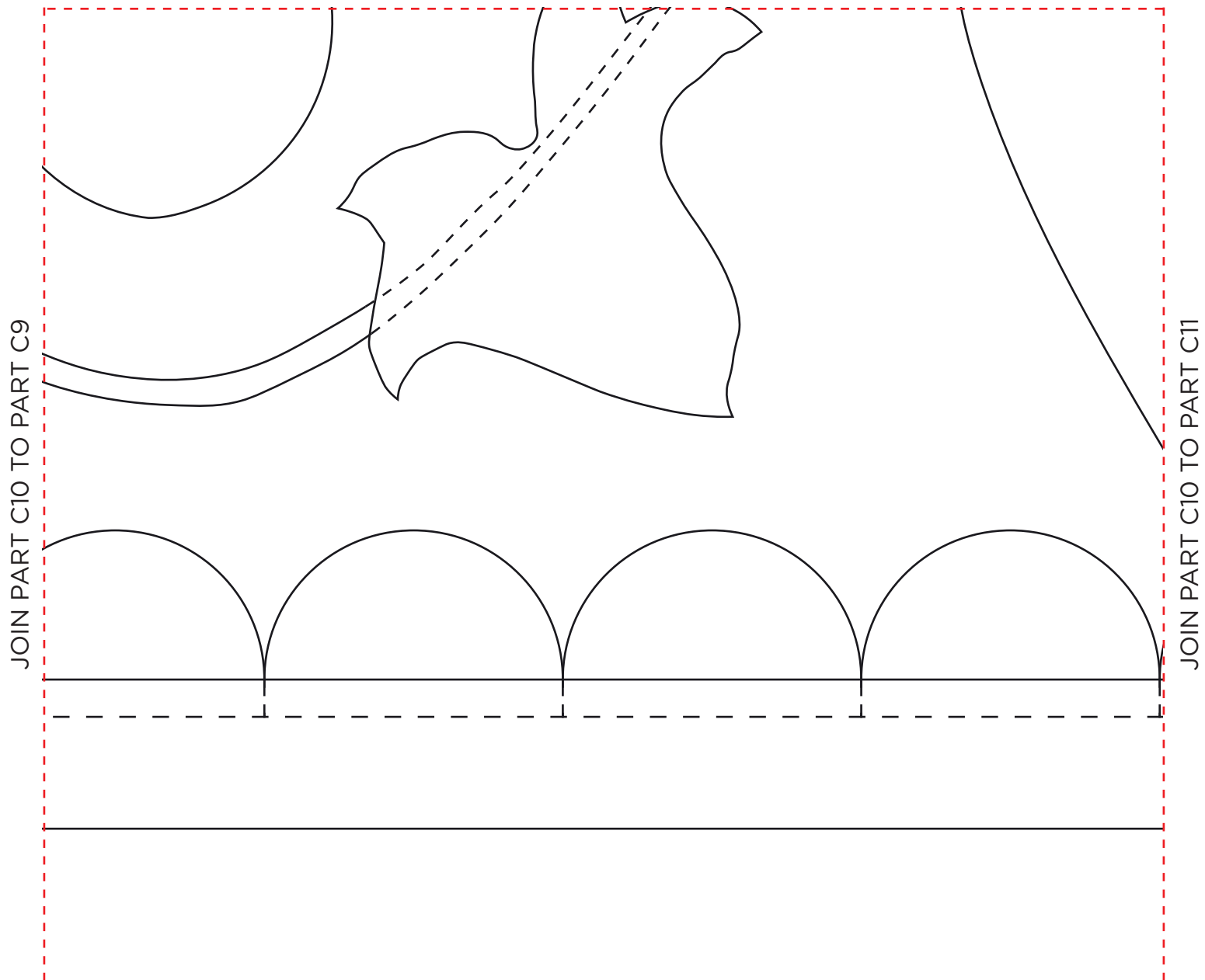
## APPLIQUÉ TEMPLATES, BLOCK AND LONG SIDE BORDER

ACTUAL SIZE

PLEASE NOTE: Templates DO NOT include seam allowances.

### LONG SIDE BORDER PART C10

JOIN PART C10 TO PART C2



When printed at the correct size, this box will measure 1in / 26mm square

# SIX GEESE A-LAYING

Anne Varley page 69

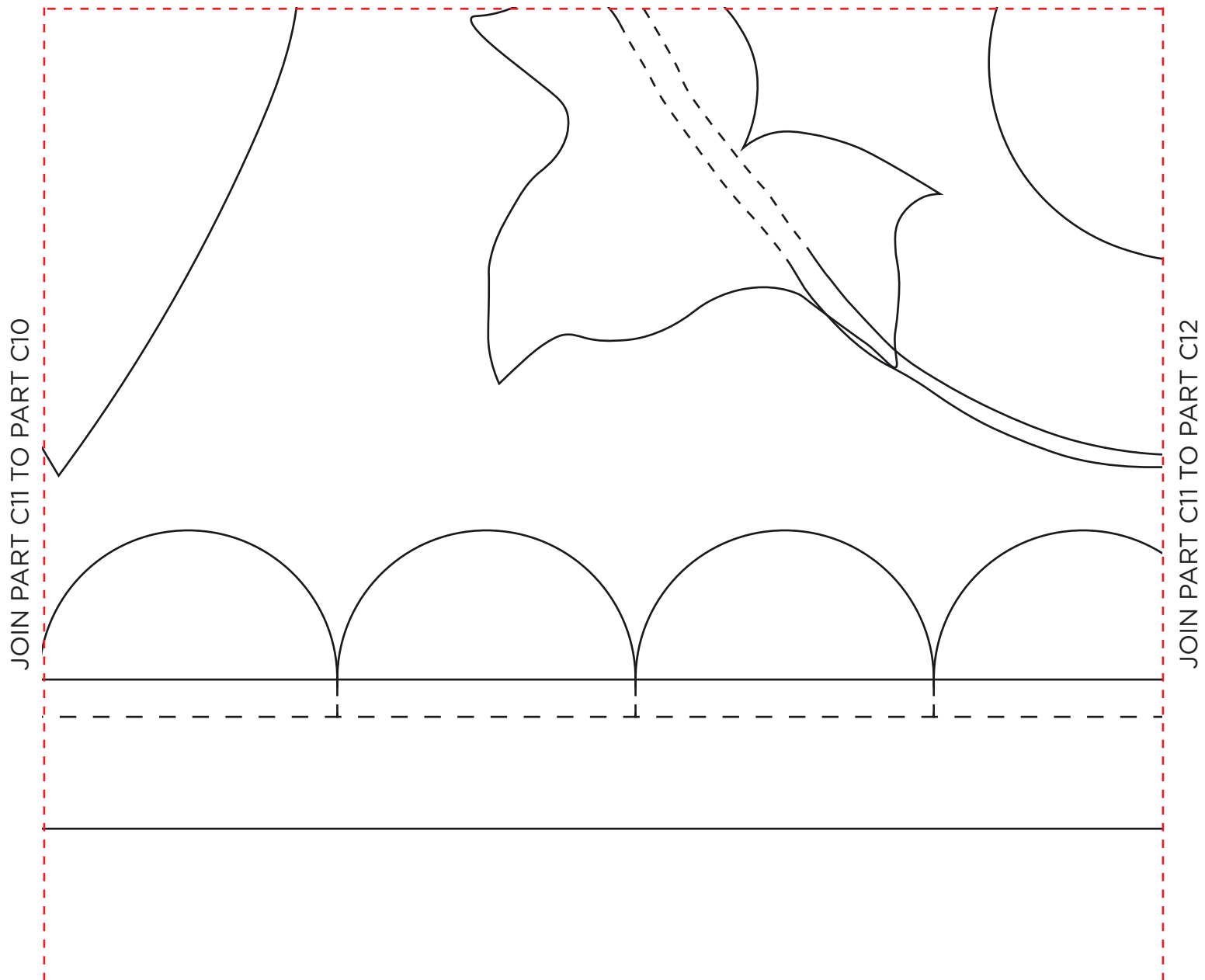
**APPLIQUÉ TEMPLATES, BLOCK AND LONG SIDE BORDER**

ACTUAL SIZE

PLEASE NOTE: Templates DO NOT include seam allowances.

## LONG SIDE BORDER PART C11

JOIN PART C11 TO PART C3



When printed at the correct size, this box will measure 1in / 26mm square

# SIX GEESE A-LAYING

Anne Varley page 69

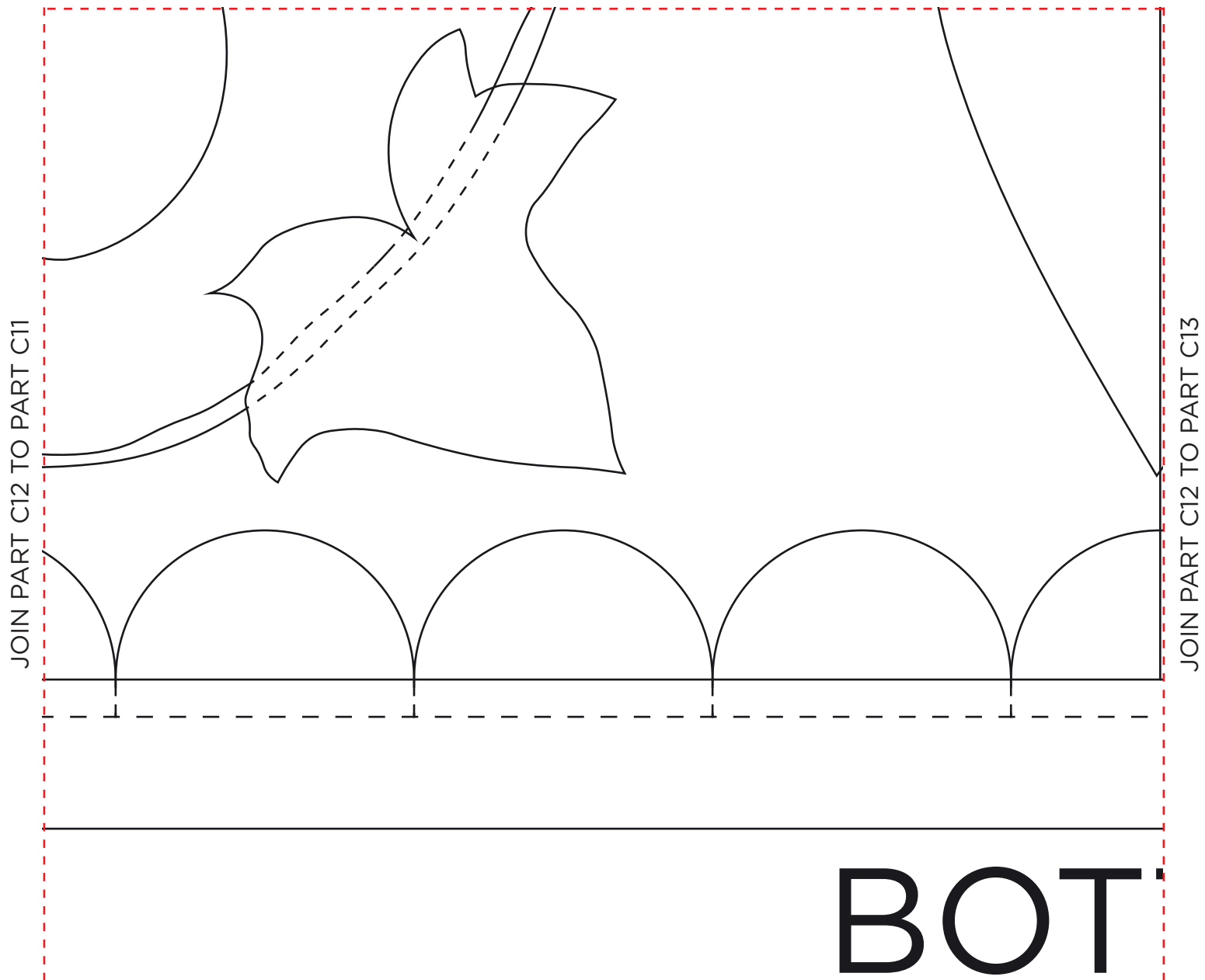
**APPLIQUÉ TEMPLATES, BLOCK AND LONG SIDE BORDER**

— —  
ACTUAL SIZE

PLEASE NOTE: Templates DO NOT include seam allowances.

## LONG SIDE BORDER PART C12

JOIN PART C12 TO PART C4



When printed at the correct size, this box will measure 1in / 26mm square

# SIX GEESE A-LAYING

Anne Varley page 69

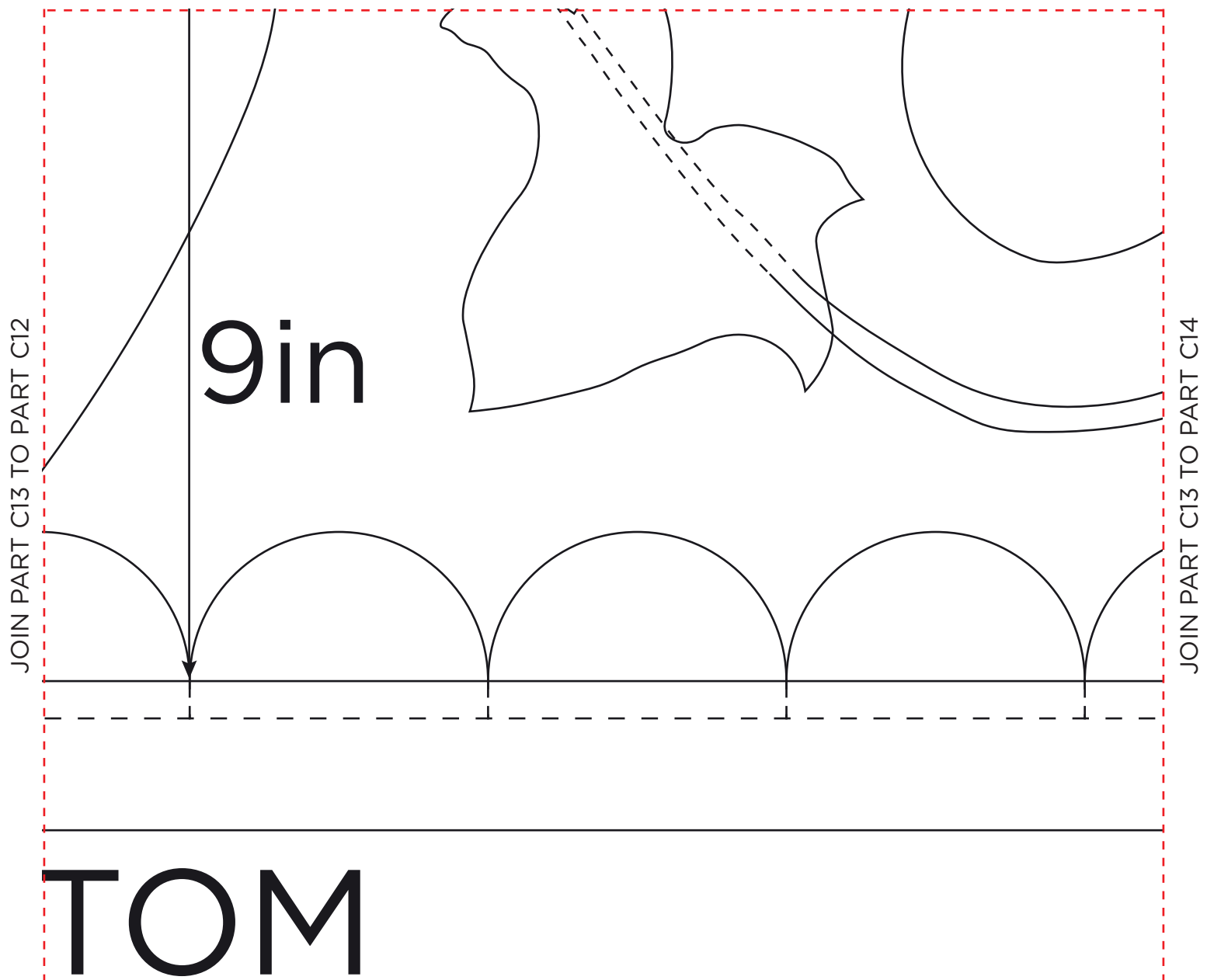
**APPLIQUÉ TEMPLATES, BLOCK AND LONG SIDE BORDER**

ACTUAL SIZE

PLEASE NOTE: Templates DO NOT include seam allowances.

## LONG SIDE BORDER PART C13

JOIN PART C13 TO PART C5



When printed  
at the correct  
size, this box  
will measure  
1in / 26mm  
square

# SIX GEESE A-LAYING

Anne Varley page 69

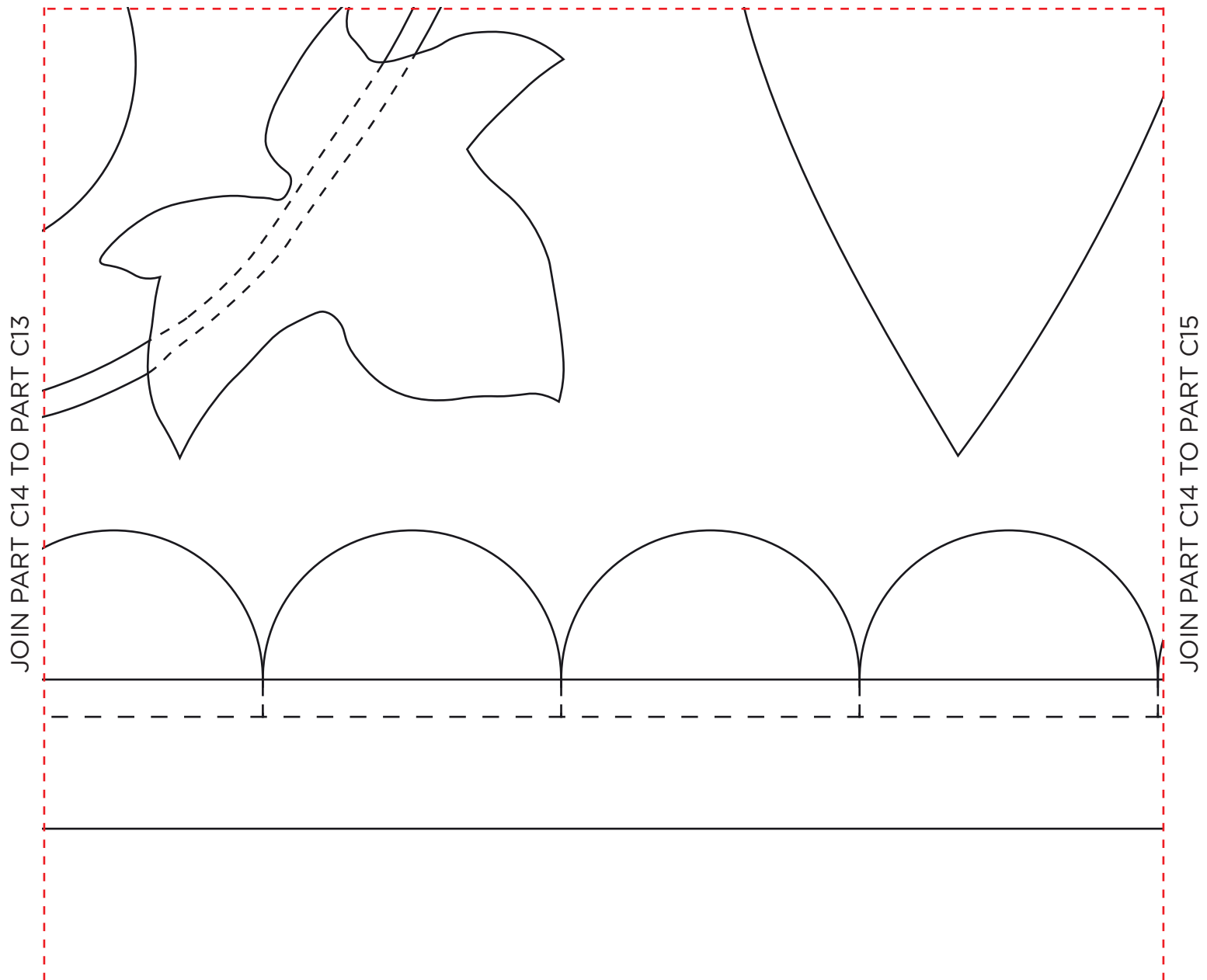
**APPLIQUÉ TEMPLATES, BLOCK AND LONG SIDE BORDER**

— —  
ACTUAL SIZE

PLEASE NOTE: Templates DO NOT include seam allowances.

## LONG SIDE BORDER PART C14

JOIN PART C14 TO PART C6



When printed at the correct size, this box will measure 1in / 26mm square

# SIX GEESE A-LAYING

Anne Varley page 69

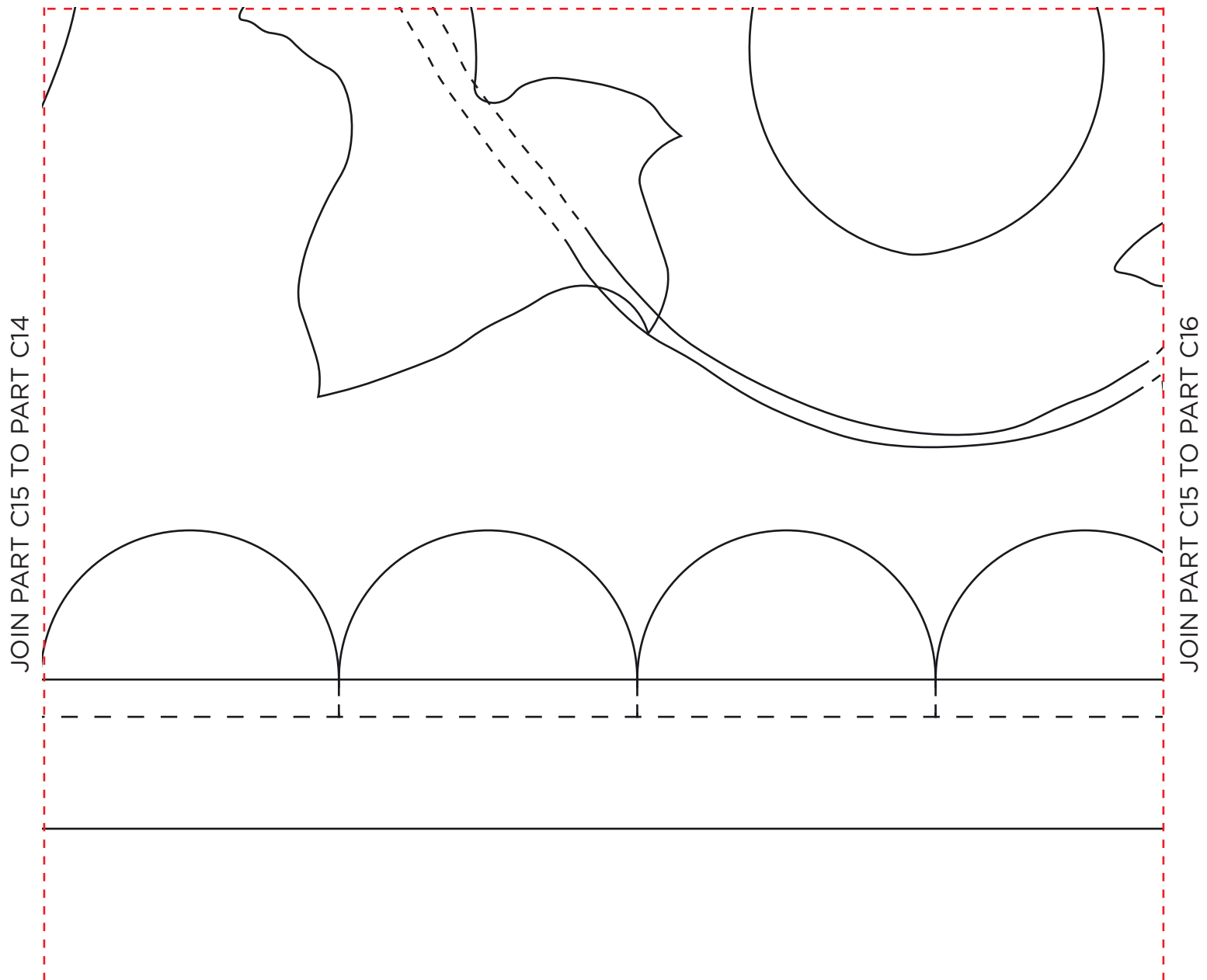
## APPLIQUÉ TEMPLATES, BLOCK AND LONG SIDE BORDER

ACTUAL SIZE

PLEASE NOTE: Templates DO NOT include seam allowances.

### LONG SIDE BORDER PART C15

JOIN PART C15 TO PART C7



When printed at the correct size, this box will measure 1in / 26mm square

# SIX GEESE A-LAYING

Anne Varley page 69

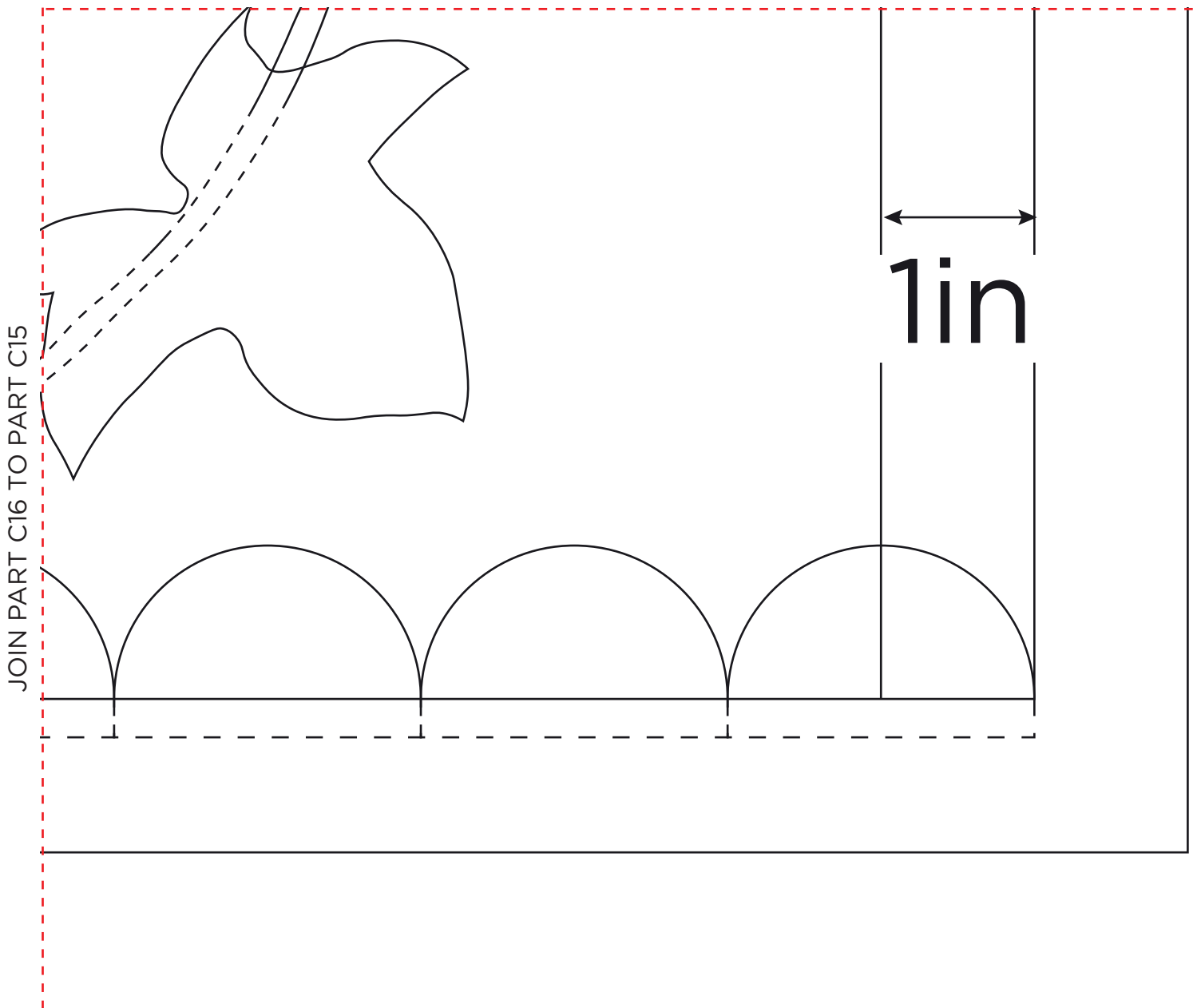
## APPLIQUÉ TEMPLATES, BLOCK AND LONG SIDE BORDER

ACTUAL SIZE

PLEASE NOTE: Templates DO NOT include seam allowances.

### LONG SIDE BORDER PART C16

JOIN PART C16 TO PART C8



When printed at the correct size, this box will measure 1in / 26mm square

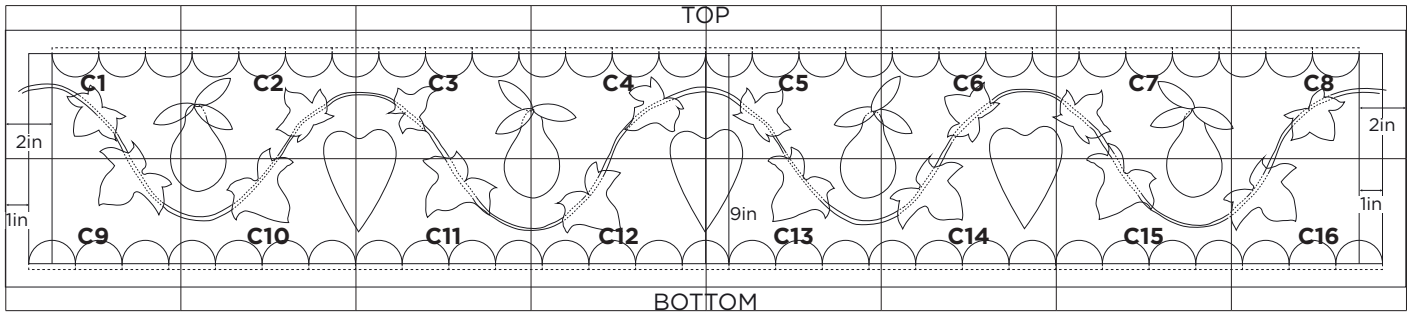
# SIX GEESE A-LAYING

Anne Varley page 69

## LONG BORDER LAYOUT PLAN



PLEASE NOTE: Border Layout plan is for reference only.



# TRY 6 ISSUES FOR £12.99\*

## WHEN YOU SUBSCRIBE TODAY!



**TODAY'S QUILTER** – your favourite magazine with  
a fresh take on traditional quilting

★  
**PROJECTS** by stars of the quilt world

★  
**BEAUTIFUL PHOTOGRAPHY** that showcases stunning quilt creations

*Subscribe online, it's quick and easy!*

Visit [Ourmediashop.com/TQHA25](http://Ourmediashop.com/TQHA25)

or call **03330 162 154<sup>†</sup>** QUOTE CODE **TQHA25**

Lines are open 8am-6pm weekdays and 9am-1pm Saturday (orders only on Saturday)



SCAN ME

†UK calls will cost the same as other standard fixed line numbers (starting 01 or 02) and are included as part of any inclusive or free minutes allowances (if offered by your phone tariff). Outside of free call packages call charges from mobile phones will cost between 3p and 55p per minute. Lines are open 8am-6pm weekdays and 9am-1pm Saturday (orders only on Saturday) Terms & Conditions: \*All savings are calculated as a percentage of Basic Annual Rate. The UK Basic annual rate is £91.87, which includes event issues (issues charged higher than standard cover price) published in a 12 month period. Your subscription will start with the next available issue. This offer is a special introductory offer for new UK print subscribers paying by direct debit only. If you cancel within 2 weeks of receiving your 5th issue you will pay no more than £12.99. Otherwise your subscription will continue at £34.99 every 6 issues. Full details of the Direct Debit guarantee are available upon request. Offer ends: **31st January 2026**.