

QUICK QUILTS | FUN CACTUS DESIGN | CURVED PIECING

LOVE PATCHWORK & Quilting *Sharing your passion for fabric!*

ISSUE ONE HUNDRED AND FORTY NINE • 2025

+ STASH BUSTER
USE UP PRINTS AND SOLIDS IN OUR STYLISH DESIGN

ONE-STOP GUIDE:
HOW TO HAND TIE QUILTS

10
MODERN
MAKES
PLUS
ON TREND SCRAPPY
BOW SET

SEW
GREEN

DIVE INTO YOUR FABRIC STASH AND DO SOME ECO-SEWING!



TEMPLATES

Issue 149

PRINT AT 100%

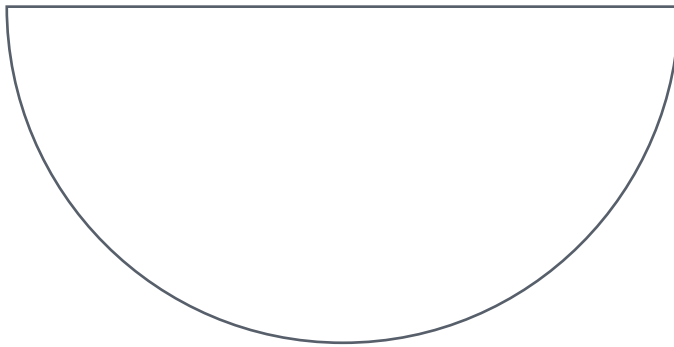
PRINT AT 100%

When printed at
the correct size, this
box will measure
1in square.

ROLLING GREENS

Scallop

ACTUAL SIZE

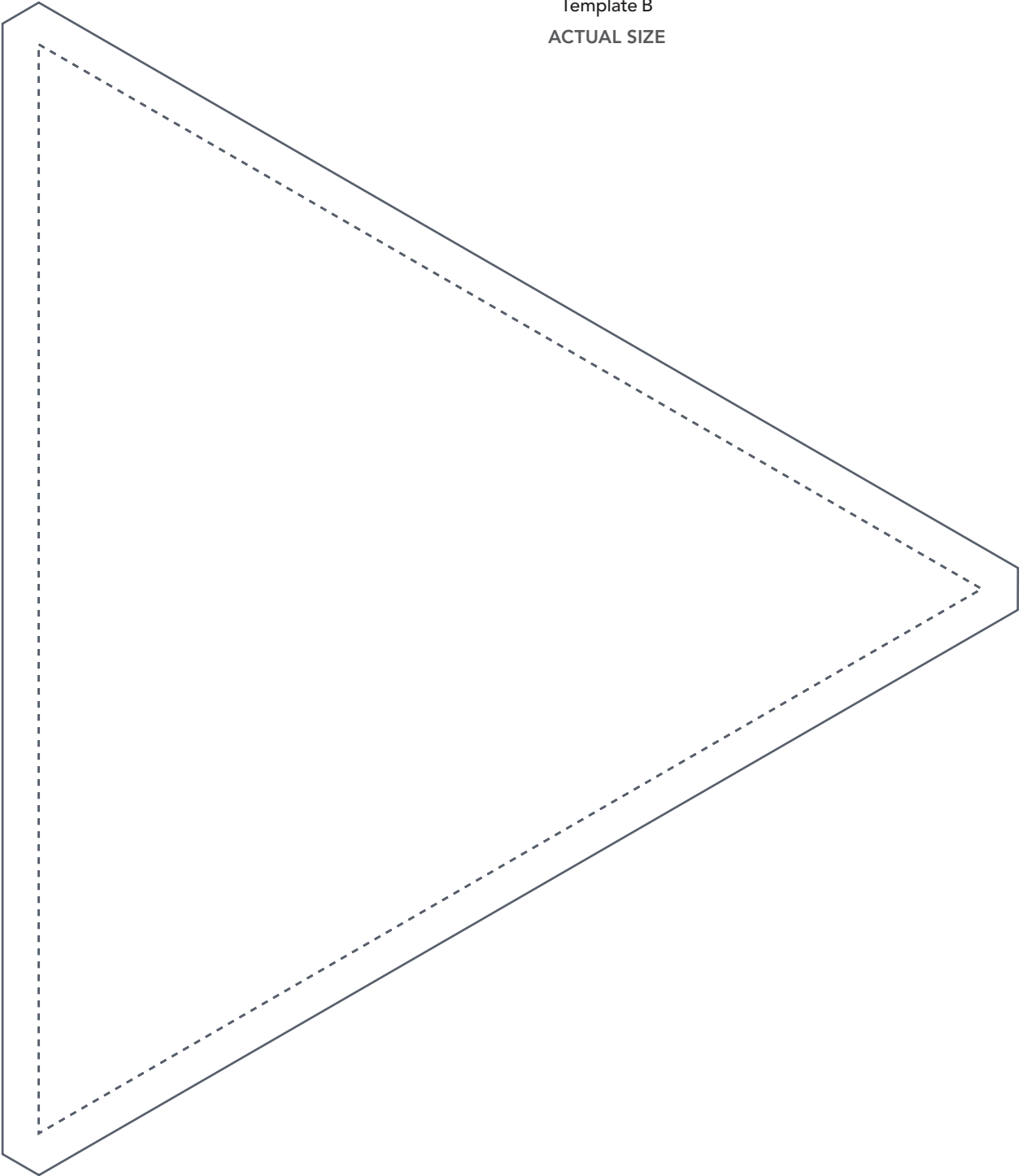


PRINT AT 100%

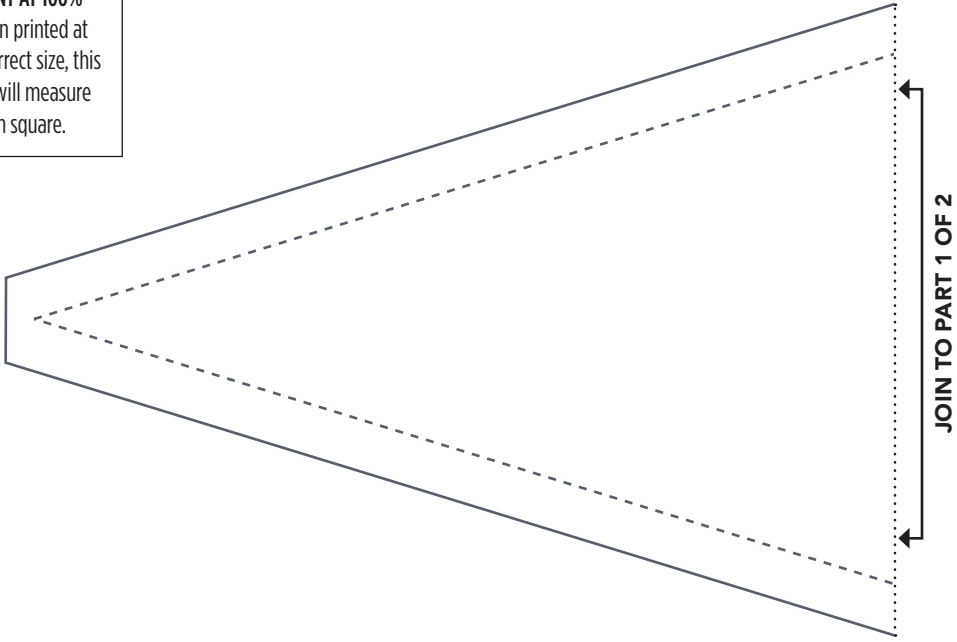
When printed at
the correct size, this
box will measure
1in square.

FLYING HIGH

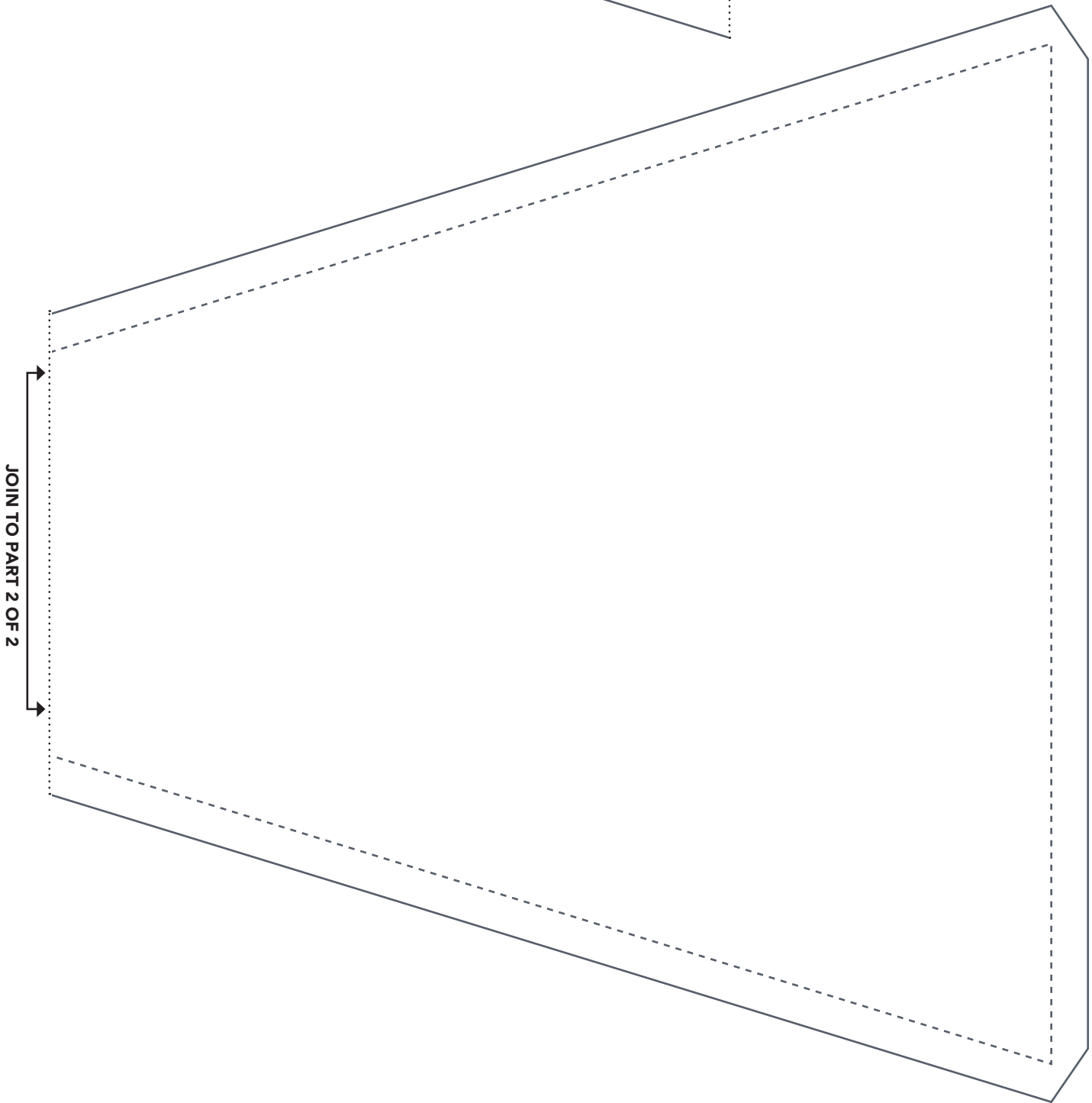
Template B
ACTUAL SIZE



PRINT AT 100%
When printed at
the correct size, this
box will measure
1in square.



FLYING HIGH
Template A
ACTUAL SIZE



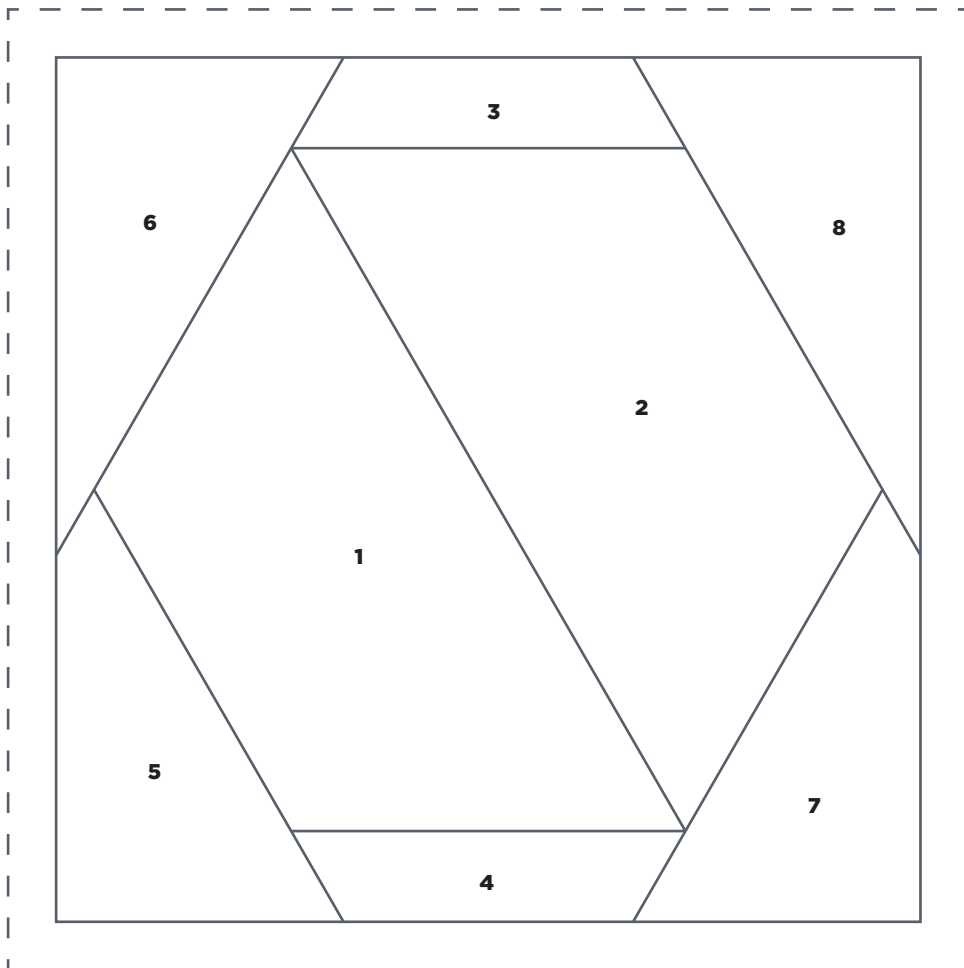
PRINT AT 100%

When printed at
the correct size, this
box will measure
1in square.

SCRAPAGONE

FPP Template

ACTUAL SIZE

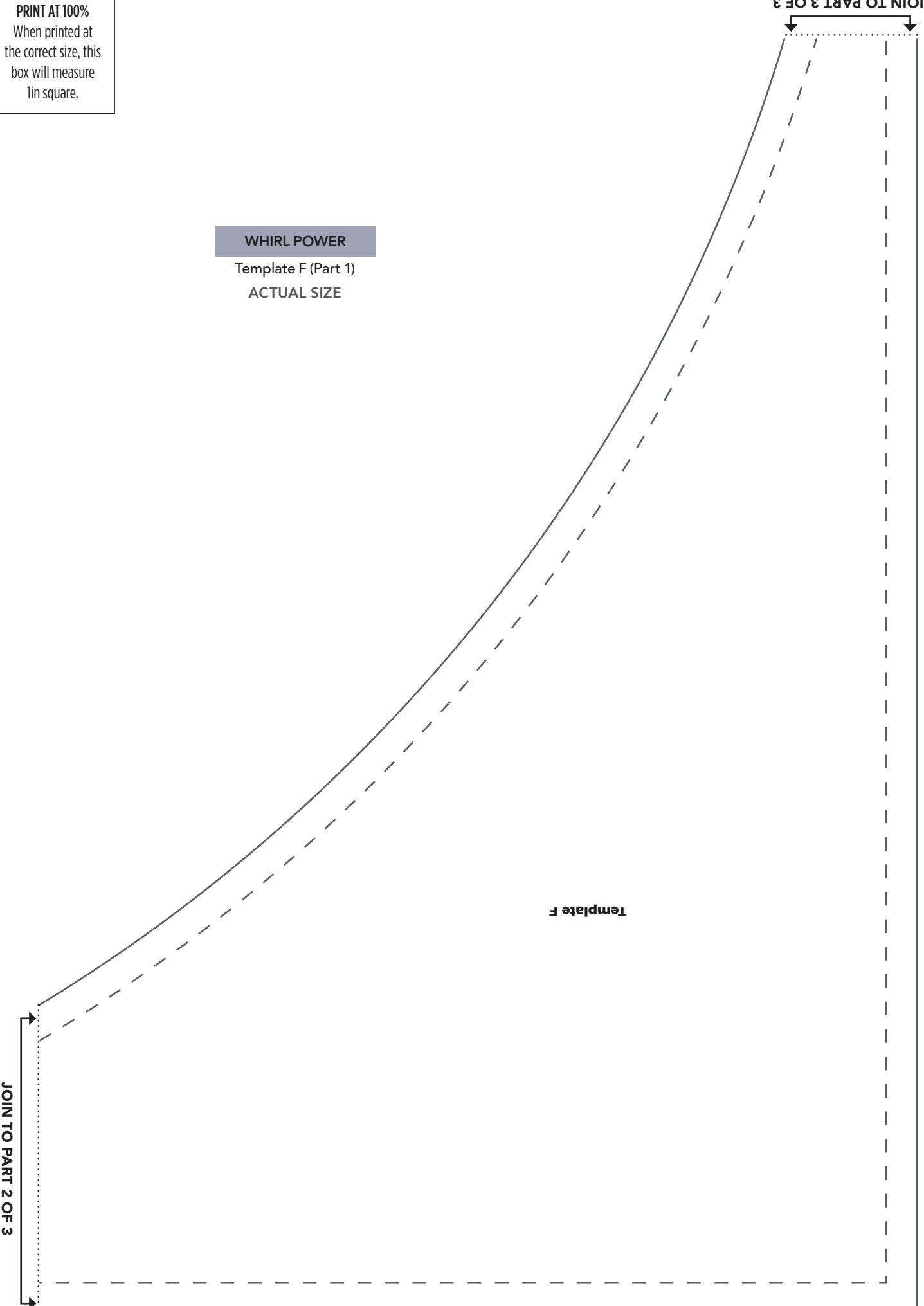


PRINT AT 100%
When printed at
the correct size, this
box will measure
1in square.

WHIRL POWER

Template F (Part 1)

ACTUAL SIZE



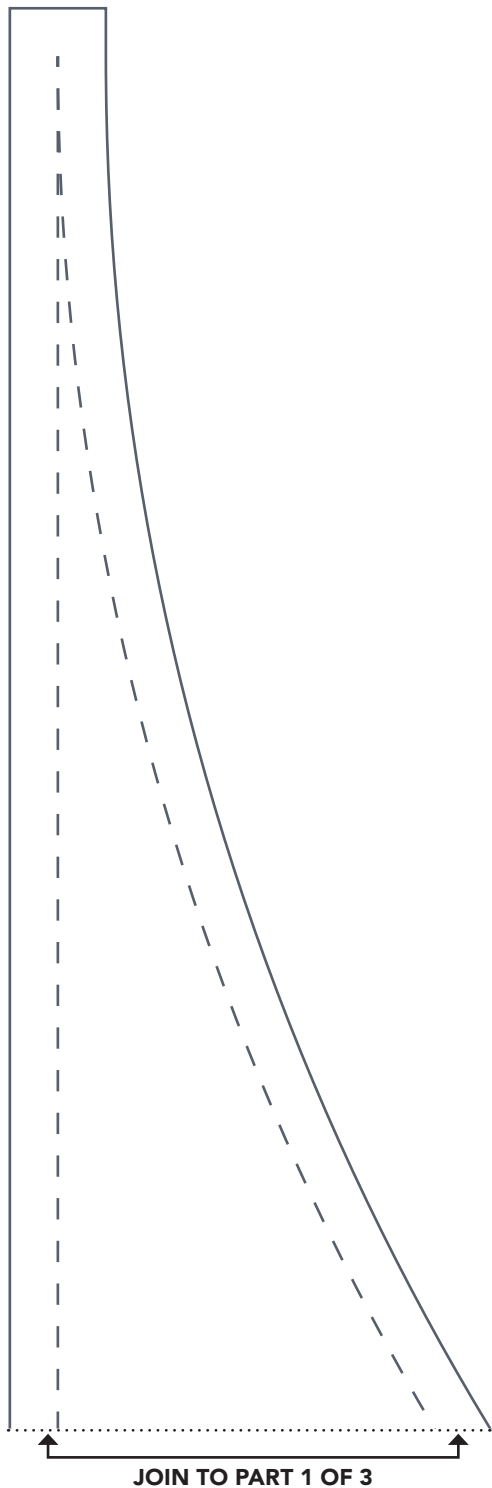
Template F

JOIN TO PART 2 OF 3

JOIN TO PART 3 OF 3

PRINT AT 100%

When printed at the correct size, this box will measure 1in square.



WHIRL POWER

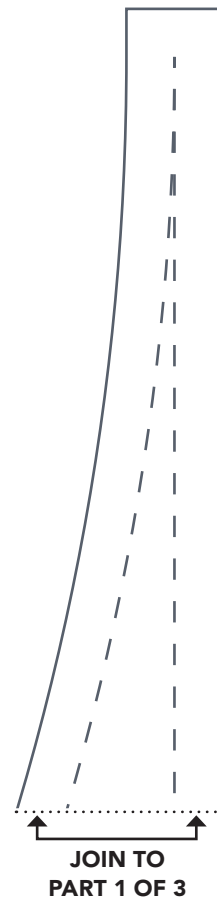
Template F (Part 2)

ACTUAL SIZE

WHIRL POWER

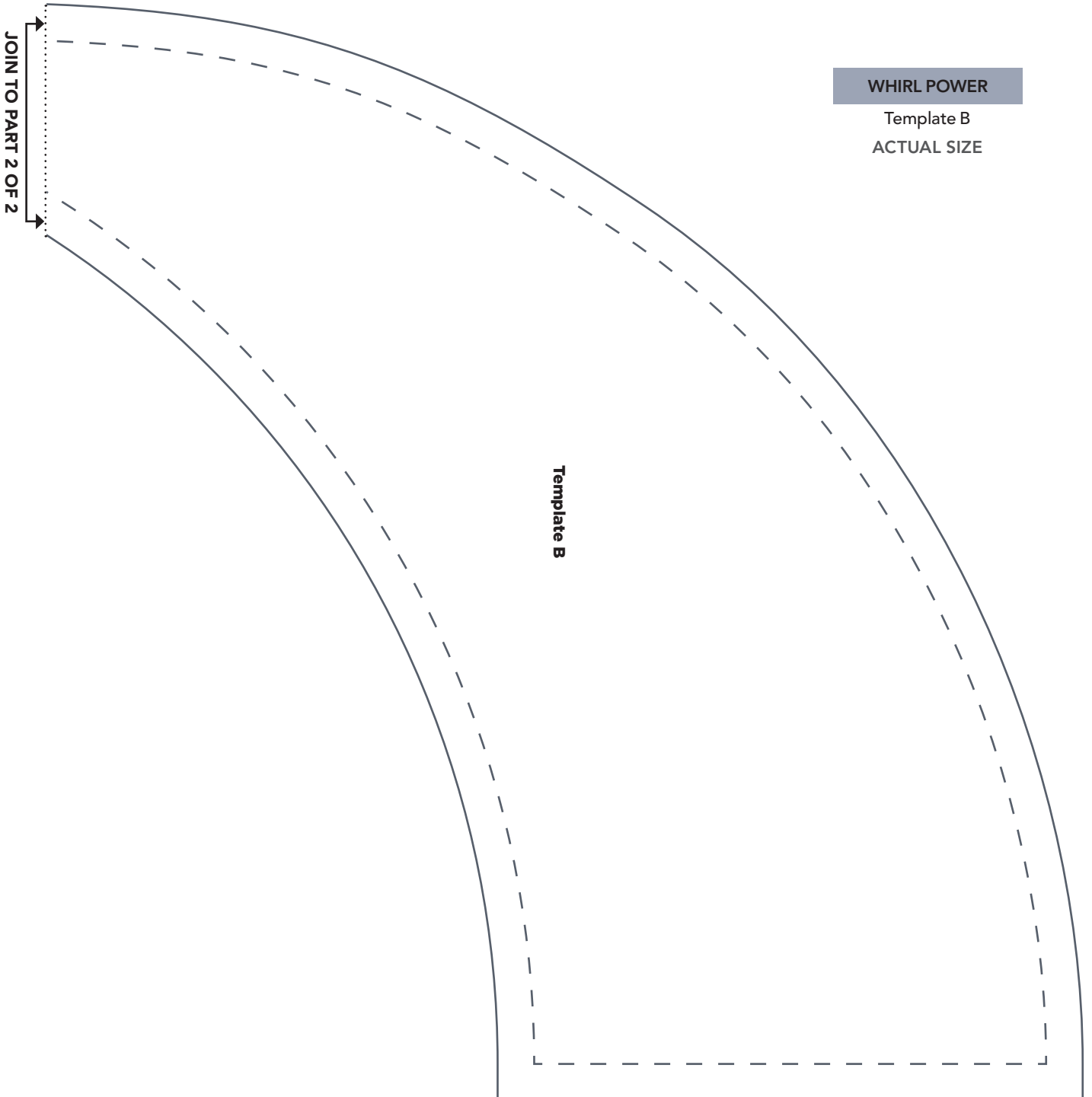
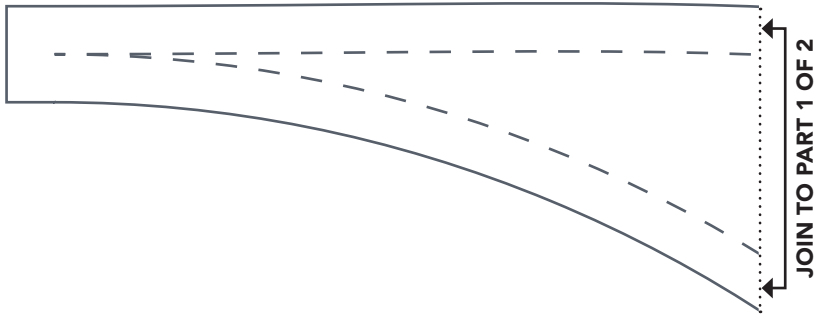
Template F (Part 3)

ACTUAL SIZE



PRINT AT 100%

When printed at
the correct size, this
box will measure
1in square.

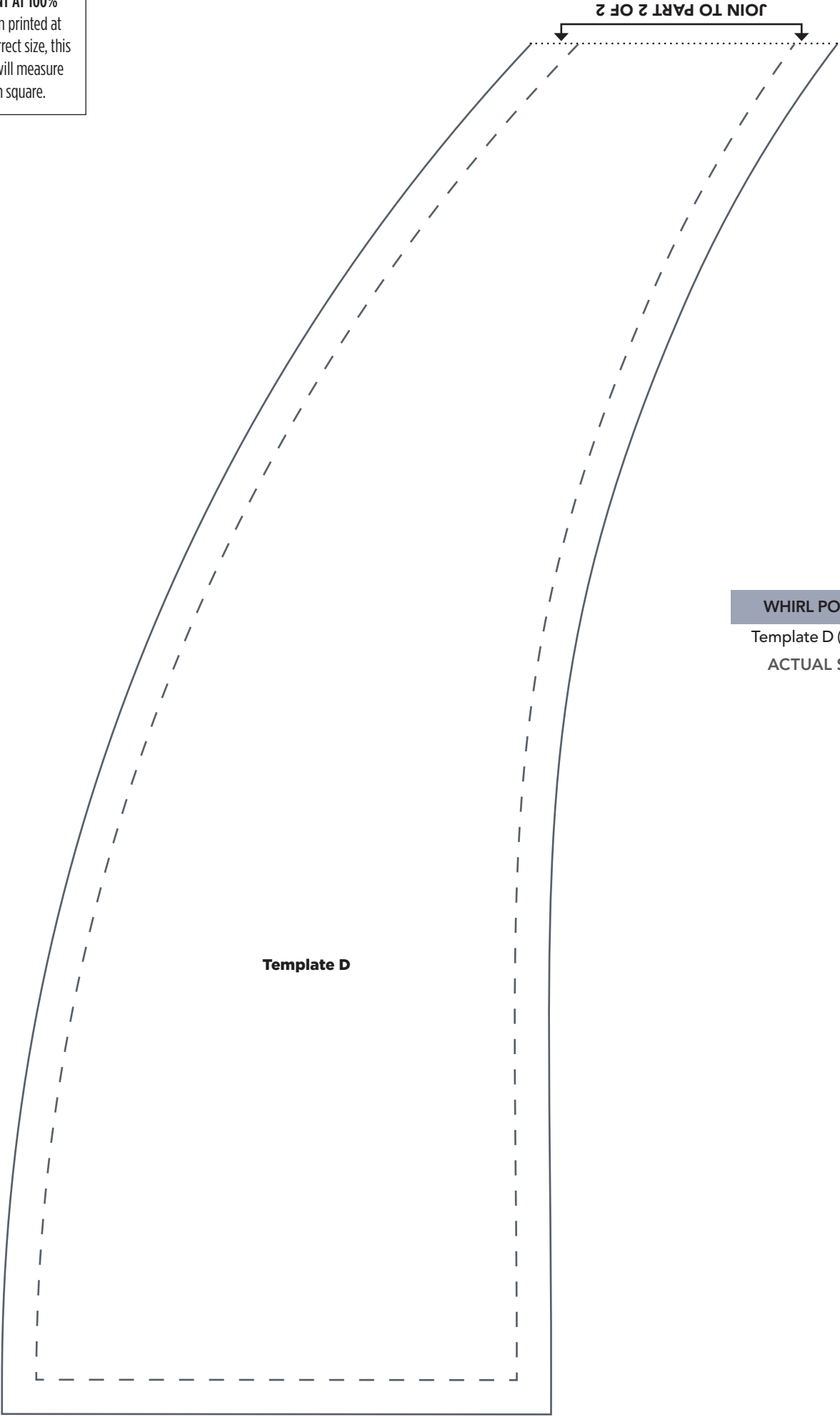


WHIRL POWER

Template B

ACTUAL SIZE

PRINT AT 100%
When printed at
the correct size, this
box will measure
1in square.



WHIRL POWER

Template D (Part 1)

ACTUAL SIZE

Template D

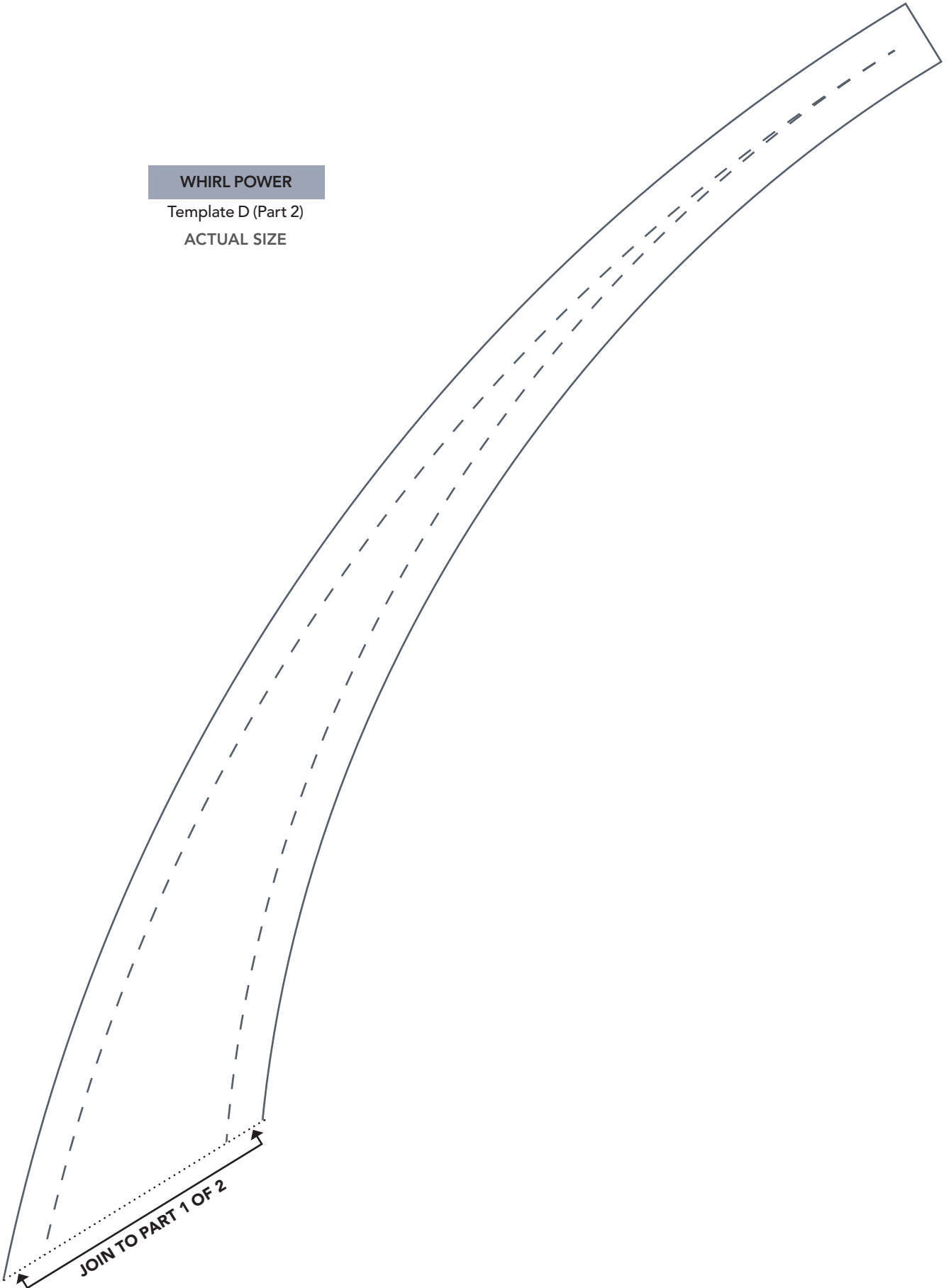
PRINT AT 100%

When printed at
the correct size, this
box will measure
1in square.

WHIRL POWER

Template D (Part 2)

ACTUAL SIZE



PRINT AT 100%

When printed at
the correct size, this
box will measure
1in square.

WHIRL POWER

Template A
ACTUAL SIZE

Template A

The image shows a large square template. The left side of the square is a solid curved line that starts at the bottom-left corner and curves towards the top-right corner. The rest of the square's boundary is a dashed line, including the bottom, right, and top edges. The text 'Template A' is centered within the square.

PRINT AT 100%
When printed at
the correct size, this
box will measure
1in square.

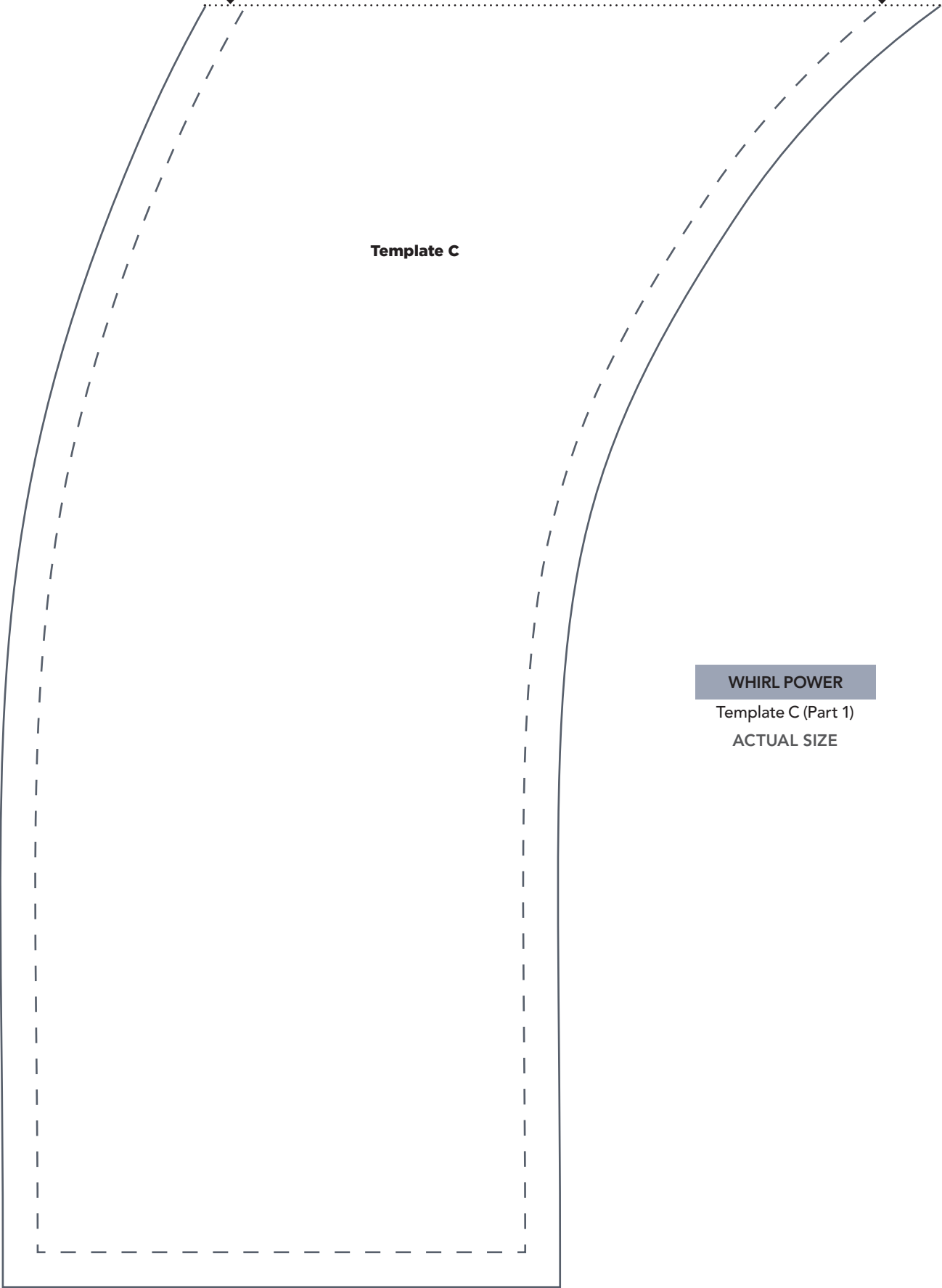
JOIN TO PART 2 OF 2

Template C

WHIRL POWER

Template C (Part 1)

ACTUAL SIZE



PRINT AT 100%

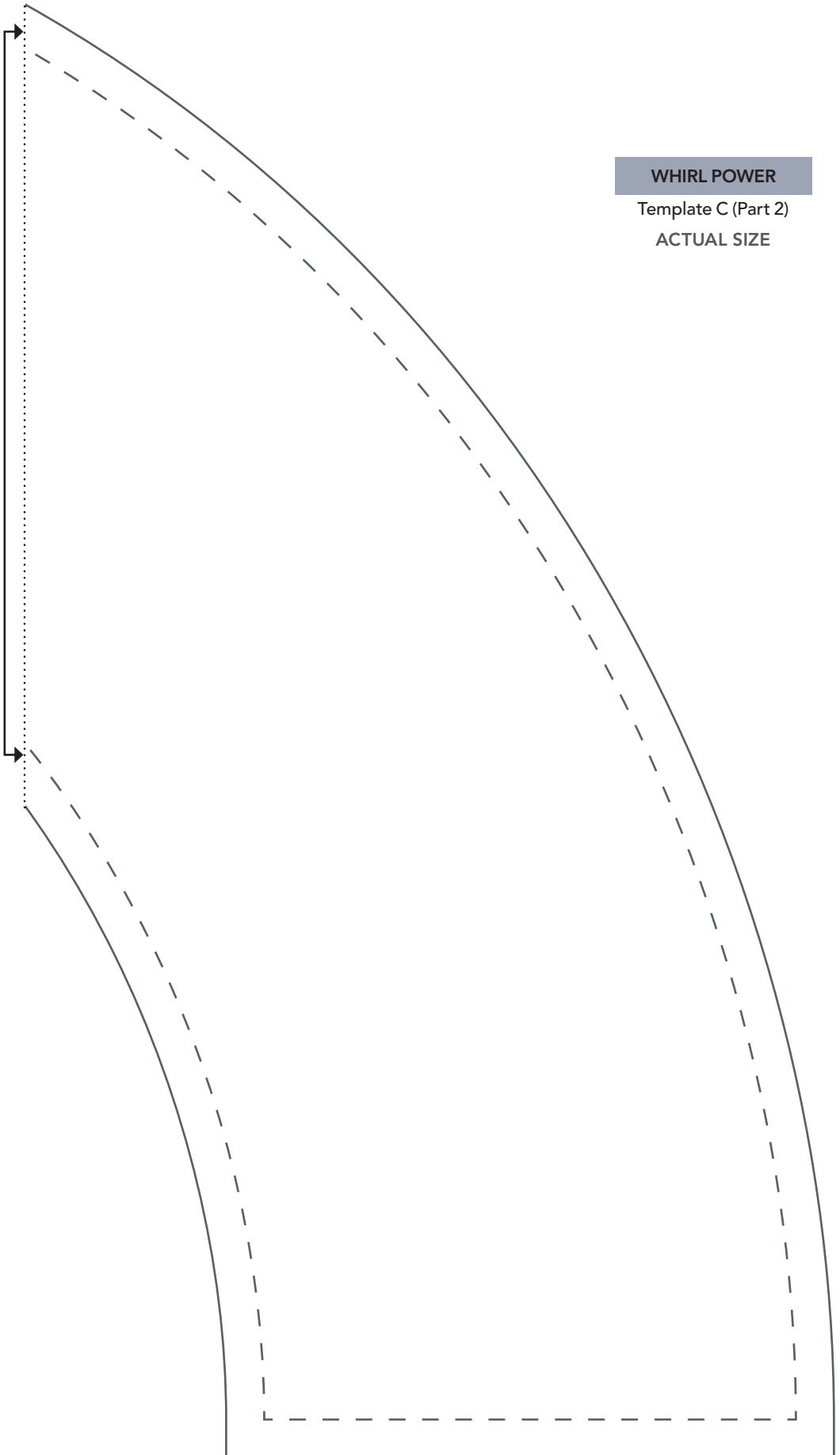
When printed at
the correct size, this
box will measure
1in square.

WHIRL POWER

Template C (Part 2)

ACTUAL SIZE

JOIN TO PART 1 OF 2



PRINT AT 100%

When printed at the correct size, this box will measure 1in square.

JOIN TO PART 2 OF 4

Template E

WHIRL POWER

Template E (Part 1)

ACTUAL SIZE

JOIN TO PART 3 OF 4

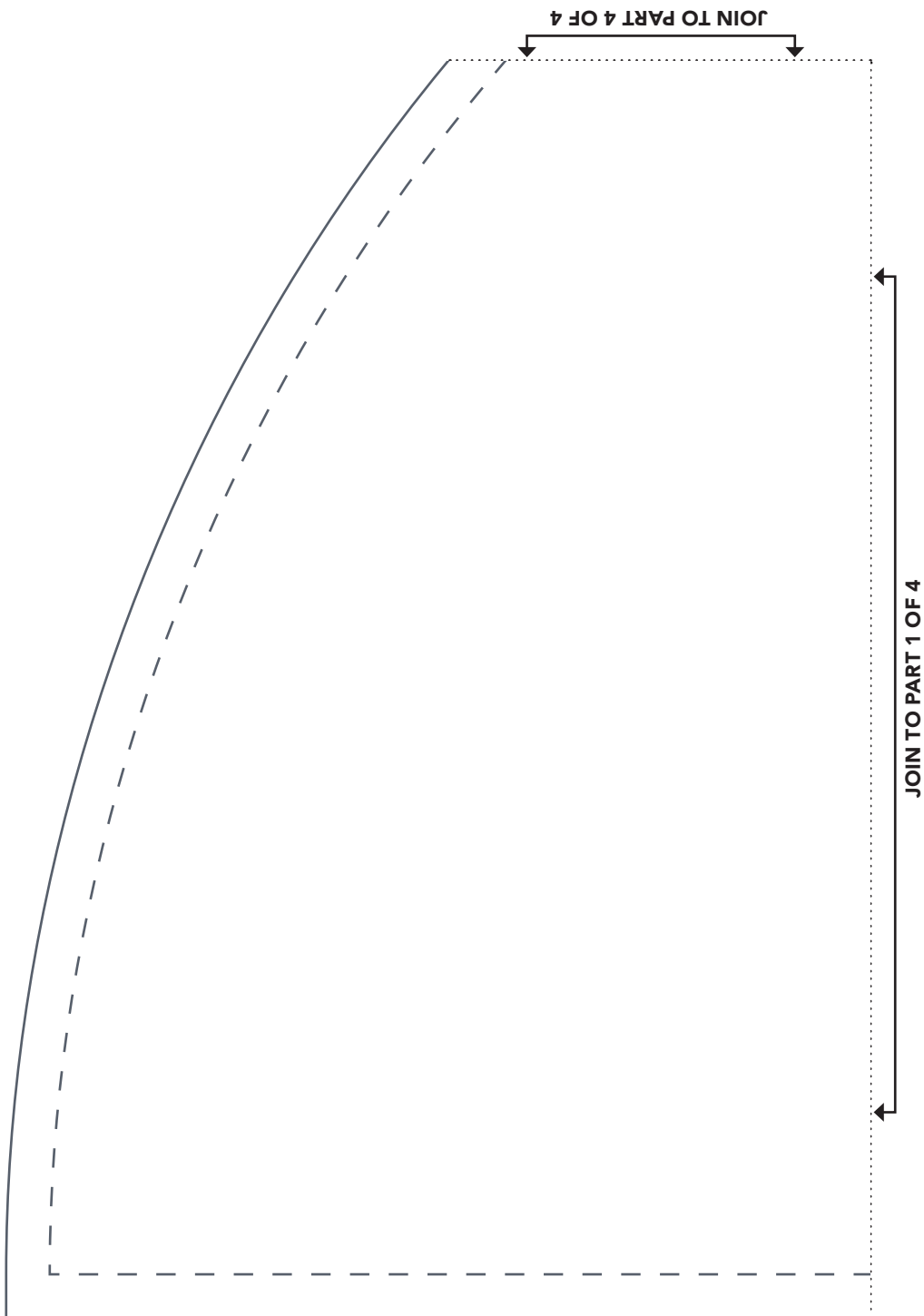
PRINT AT 100%

When printed at
the correct size, this
box will measure
1in square.

WHIRL POWER

Template E (Part 2)

ACTUAL SIZE



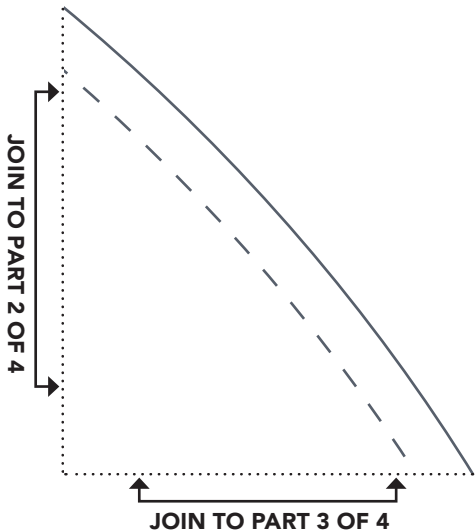
PRINT AT 100%

When printed at the correct size, this box will measure 1in square.

WHIRL POWER

Template E (Part 4)

ACTUAL SIZE



JOIN TO PART 4 OF 4

JOIN TO PART 1 OF 4

WHIRL POWER

Template E (Part 3)

ACTUAL SIZE

